

Features

- Low burden
- Monitors CB in both open & closed condition
- Contacts picked up for healthy supply condition contacts
- Slug time delay
- Hand reset flag indicator
- 2 C/O contacts (Standard)
- Draw out case
- Equivalent function to MVAX21
- 1TM10 specification

Application

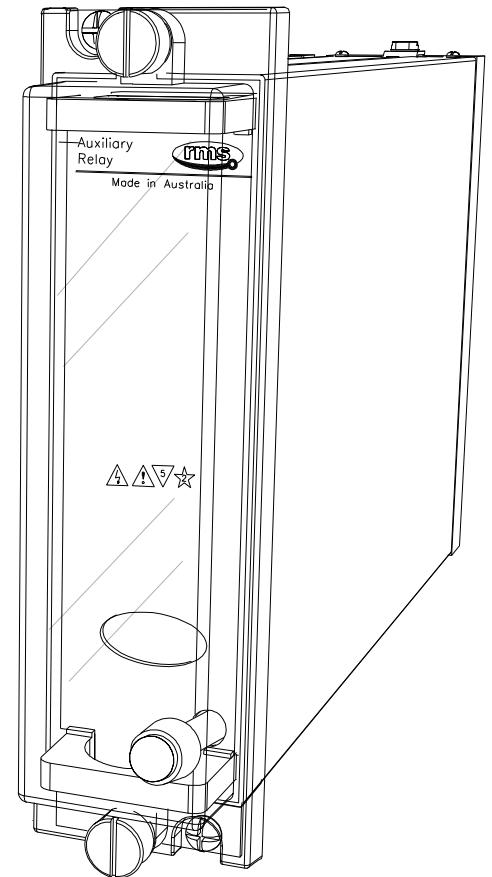
The operating element for the 6R MATRIX supervision relay functional elements are designated 6RX & are based on our 6R Series relays.

The operating element of the 6RX21 comprises a single 6R heavy duty attracted armature control relay with two operating coils wound on a single core.

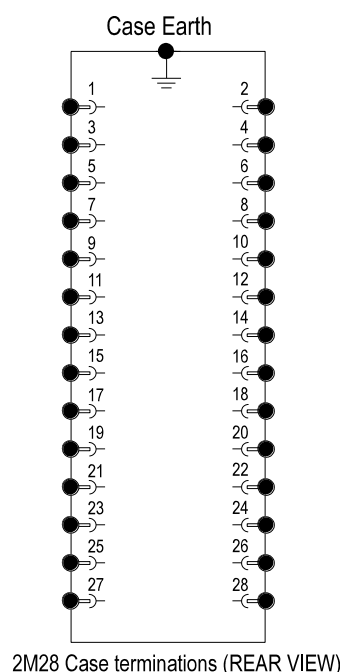
Supervision is active with the circuit breaker in the open or closed position via the 52a & b auxiliary contacts.

Under healthy conditions, with the CB in the closed position, coil winding 1 is energized & if the trip coil becomes open circuited or the supply fails, the relay will drop out initiating the local visual indicator & output contacts. Similarly, when the CB is in the open position, both coil windings are energized enabling the relay to detect failure of the trip circuit coil or supply in the same manner as if closed. Once operated the electro-mechanical alarm flag must be hand reset.

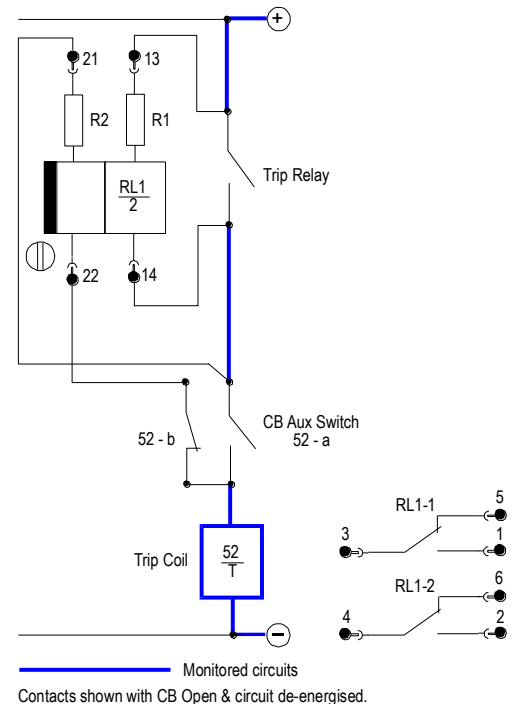
The relay element is fitted with a slug to provide a delay on de-energisation preventing a false alarm due to voltage dips in the supply rail, or the normal delays in the tripping operation, when the first coil winding is momentarily short circuited by the protection trip contact. If the protection trip contact should fail to reset, due to a failure of the circuit breaker tripping mechanism for example, the relay drops out initiating the local visual alarm indicator & output contacts.



2M28 draw out case



2M28 Case terminations (REAR VIEW)



Monitored circuits
Contacts shown with CB Open & circuit de-energised.

CIRCUIT RESISTANCE & BURDEN

The 1TM10 circuit design is optimized to minimize the supervision current in the CB trip coil to avoid the possibility of nuisance tripping. The total series resistance provided by R1 & RL1 - winding 1 is tabulated below. Resistance of the CB coil must be much less than these figures to ensure adequate supervision current flows through the 1TM10 element under normal conditions.

Nominal supply	~Resistance (ohms)	Current (mA)	Burden * (Watts)
32V DC	2,200	15	<0.5
48V DC	3,100	15	<0.8
110V DC	7,400	15	<1.7
125V DC	7,400	17	<2.2
220V DC	25,000	9	<2.0
240V DC	25,000	10	<2.4
250V DC	25,000	10	<2.5

TRIP SUPPLY BURDEN

* Actual operating burden is dependent on the CB coil resistance.

THERMAL RATING

All operate & reset circuits are designed to withstand continuous application of 120% of nominal voltage

FLAG OPERATION

Each relay element is supplied with a flag (target) indicator. The indicator consists of a high visibility solid dayglow orange mechanical flag.

Operation: Drops on coil de-energisation.
Reset: Hand reset.

OPERATING VOLTAGE RANGE

Guaranteed operation between 80% & 120% of nominal rated operating voltage.

DROP OUT VOLTAGE

Drop out >15% of nominal rated operate voltage.

RESET TIME

Not less than 300ms when supply is switched from 100% of nominal rated operating voltage to off.

NOMINAL OPERATING VOLTAGES

24, 32, 48, 110, 125, 220, 240 & 250V DC available.

CONTACTS

2 C/O standard
Up to 4 M or B contacts - user to specify combination of make & break contacts

Ordering Codes

Generate the required ordering code as follows:
e.g. 6RX21-D

6RX21 -

1

1 NOMINAL OPERATE VOLTAGE

A	24V DC	E	125V D
B	32V DC	G	220V DC
C	48V DC	H	240V DC
D	110V DC	F	250V DC

6R RELAY CONTACT RATINGS

Make & Carry Continuously

3,000 VA AC resistive with maximums of 660V & 12A
3,000 W DC resistive with maximums of 660V & 12A

Make & Carry for 3 Seconds

7,500 VA AC resistive with maximums of 660V & 30A
7,500 W DC resistive with maximums of 660V & 30A

AC Break Capacity

3,000 VA AC resistive with maximums of 660V & 12A

DC Break Capacity (Amps)

Voltage	24V	48V	125V	250V	
Resistive rating	12	2	0.5	0.25	
L/R=40ms	Maximum break	12	1	0.25	0.15

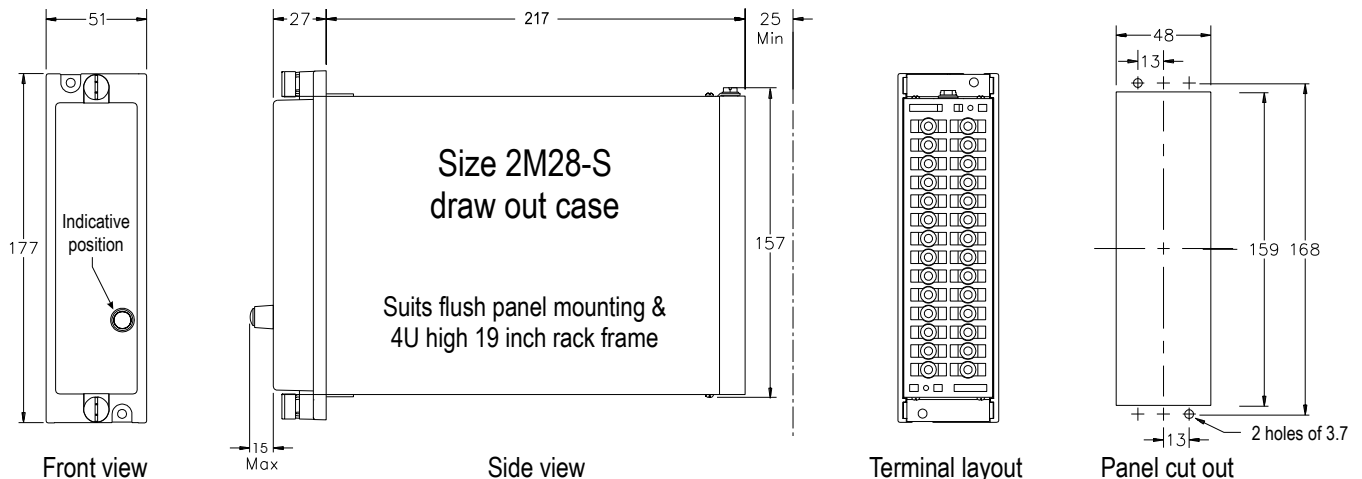
INSULATION WITHSTAND in accordance with IEC 255-5:

2KV RMS & 1.2/50 5KV impulse between:

- ◆ all terminals & frame
- ◆ each contact group
- ◆ all contacts & coil

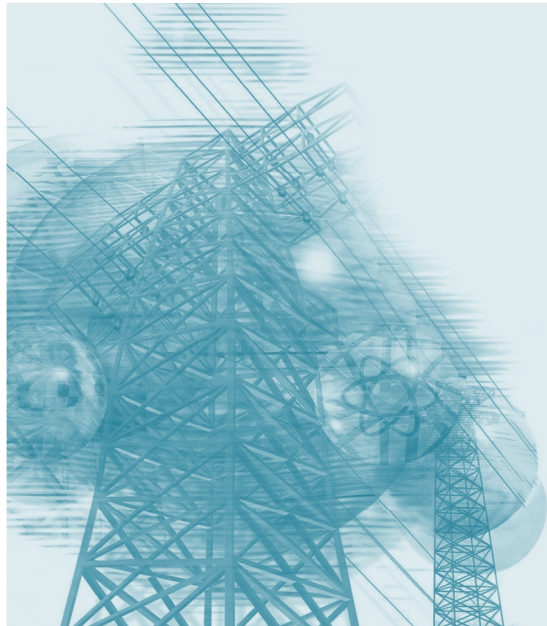
CASE SIZE

2M28-S draw out case





www.rmspl.com.au



Relay Monitoring Systems Pty Ltd design, manufacture and market a wide range of electrical protection and control products for application on high voltage power systems. The company's depth of local manufacturing and engineering expertise is backed up by many years of experience since the formation of its predecessor, Relays Pty Ltd (RPL), in 1955. This experience combined with a broad base of field proven product types enables RMS to service specific customer needs by producing relay on demand and with typically short lead times.

Relay Monitoring Systems Pty Ltd

6 Anzed Court
Mulgrave, Victoria 3170
AUSTRALIA
Ph: +61 3 8544 1200
Fax +61 3 8544 1201
Email: rms@rmspl.com.au
www.rmspl.com.au
www.relays.com.au

Due to RMS continuous product improvement policy the information contained in this document is subject to change without prior notice.

© 2013 Relay Monitoring Systems Pty Ltd ABN 76 052 484 483