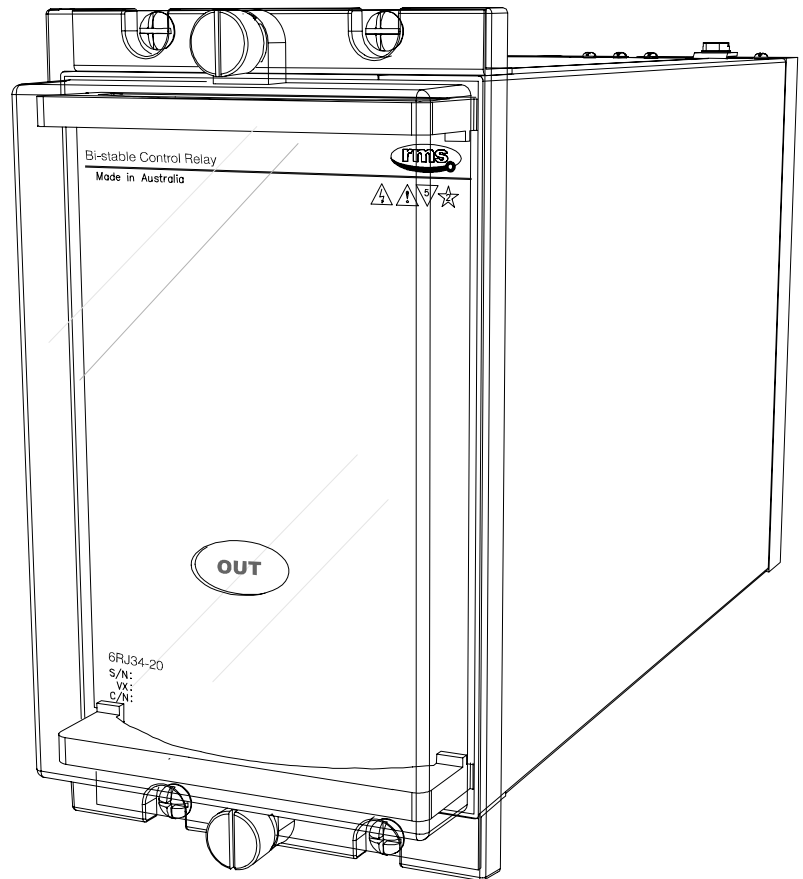


Features

- Meets NGTS 2.19.1999
- Electrical set and reset contacts and flag
- 10 contact version
- Electrical reset inhibit function
- Alternative to MVAJ34 and TR431 relays



4M56 draw out case

Application

Made in Australia

The 6RJ34 is a bi-stable control relay designed to switch protection and auto reclosing IN and OUT of service from a remote point via pilot wires.

Application of a control signal to the operate coil inputs will cause the relay to pick up changing the state of the contacts and flag to the OUT condition.

Application of a control signal to the reset coil inputs will cause the relay to drop out reverting the contacts and flag to the IN condition.

The operate and reset coils are automatically protected from thermal damage by a series cut throat contacts once the relay contacts have changed state.

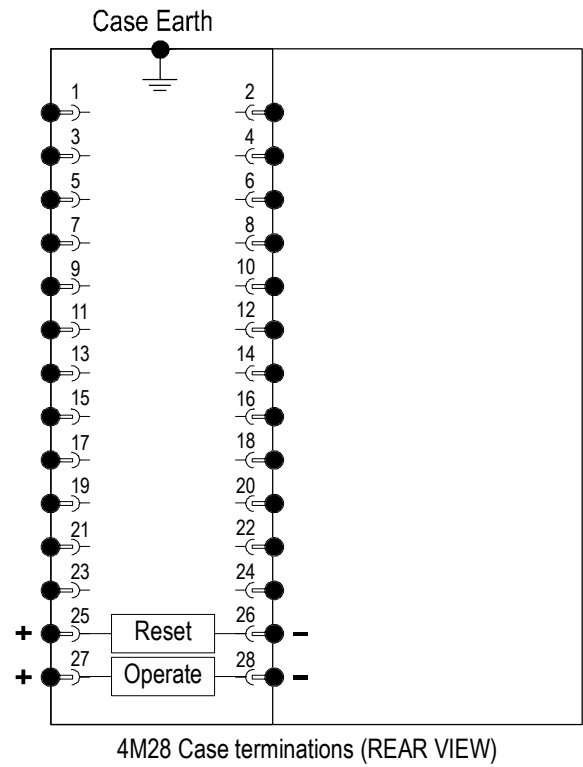
An electrical reset inhibit function is provided to isolate the reset circuit when a voltage is applied to the operate coil. This avoids the possibility of the relay cycling between the IN and OUT state if the operate and reset coils are energized at the same time.

A feature of the design is that the 6RJ34 will neither operate nor reset if 110V AC 50Hz rms is applied across either the operate or reset circuits in accordance with National Grid Company SPEC.NGTS 2.19.1999.

Up to 10 contacts may be specified in any combination with a maximum of 5 break.

Where 20 contacts are required refer to the 6RJ34-20 Technical Bulletin.

Terminal Wiring



6RJ21-10 Terminal Numbers										
Contacts	1-3	2-4	5-7	6-8	9-11	10-12	13-15	14-16	17-19	18-20
10M	M	M	M	M	M	M	M	M	M	M
9M+1B	M	M	M	M	M	M	M	M	M	B
8M+2B	M	M	M	M	M	M	M	M	B	B
7M+3B	M	M	M	M	M	M	M	B	B	B
6M+4B	M	M	M	M	M	M	B	B	B	B
5M+5B	M	M	M	M	M	B	B	B	B	B

Table 1

OPERATING & RESET BURDENS

Burden during pick up and reset at nominal.
 48/54V DC: <15W
 110/125V DC: <25W
 220/250V DC: <50W

OPERATED BURDEN

Burden after operation
 Operate coil: Zero
 Reset coil: Zero
 Reset interlock: <1W

COIL THERMAL RATING

The operate and reset circuits are designed to withstand continuous application of 120% of nominal voltage. Both the operate and reset coils are protected by use of instantaneous series cut-off contact arrangements in both coils.

Continuous application of both the pick up coil and the reset coil will defeat the cut throat contacts and result in overheating and thermal damage to both coils and associated circuits.

OPERATING TIME (Measured to first touch)
 0 Ohm pilot: <50ms at nominal rated operating voltage
 200 Ohm pilot: <75ms at nominal rated operating voltage

CONTACT OPERATION

Latching contacts with electrical reset.

FLAG OPERATION

Latching flag with electrical reset.
 Flag indicates **IN** when operated
 Flag indicates **OUT** when reset
 Flag must be in the operate position before the flag can be reset.
 Flag must be in reset position before the flag can be operated.

OPERATING VOLTAGE RANGE

With pilot wire resistance in series with operate and reset coils:

Dual Rated Voltage	0 Ohm pilot	200 Ohm pilot
48/54V DC	37.5 - 60V DC	46 - 56V DC
110/125V DC	87.5 - 137.5V DC	87.5-137.5V DC
220/250V DC	122 - 286V DC	175-275V DC

MINIMUM OPERATING CURRENT

Operate and reset: >25mA

AC VOLTAGES

The 6RJ34 will neither operate nor reset if 110V AC 50Hz rms is applied across either coil circuit for 5s.

ELECTRICAL RESET INTERLOCK

Standard bistable control relays can be wired into a configuration where a 'race' condition is possible. If the reset circuit is held energized while the relay operate input also remains energized, the relay will oscillate between the operated and reset states. The 6RJ34 relay is fitted with a reset interlock feature to eliminate this condition.

This protection function is achieved using an internal relay that picks up when a signal is applied to the operate coil. When picked up a contact isolates the reset circuit.

The relay can only be reset to the **IN** state provided an operate signal is not present.

CONTACTS

10 contacts standard
 User to specify combination of make & break contacts

Refer to the 6RJ34-20 Technical Bulletin for details on the 20 contact version.

6R RELAY CONTACT RATINGS

Make and Carry Continuously

3,000 VA AC resistive with maximums of 660V and 12A
 3,000 W DC resistive with maximums of 660V and 12A

Make and Carry for 3 Seconds

7,500 VA AC resistive with maximums of 660V and 30A
 7,500 W DC resistive with maximums of 660V and 30A

AC Break Capacity

3,000 VA AC resistive with maximums of 660V and 12A

DC Break Capacity (Amps)

Voltage		24V	48V	125V	250V
Resistive rating		12	2	0.5	0.25
L/R=40ms	Maximum break	12	1	0.25	0.15

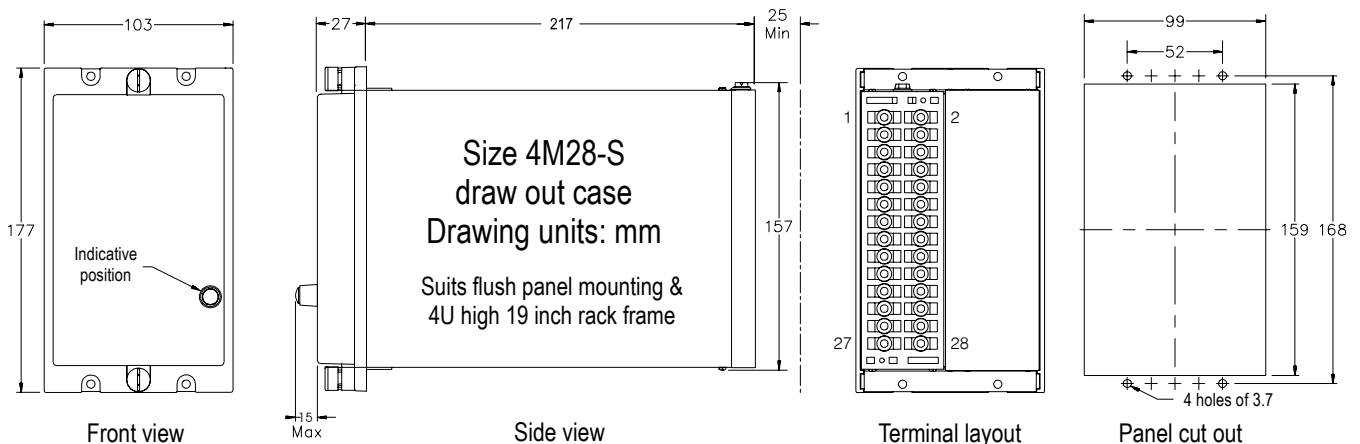
INSULATION WITHSTAND in accordance with IEC 60255-5:

2KV RMS and 1.2/50 5KV impulse between:

- ◆ all terminals and frame
- ◆ each contact group
- ◆ all contacts and coil

CASE SIZE

4M28-S draw out case



Ordering Codes

Generate the required ordering code as follows:
e.g. 6R34-10-D-5M5B

6RJ34-10

1

2

1 NOMINAL OPERATE VOLTAGE

- C 48/54V DC
- D 110/125V DC
- F 220/250V DC

3 CONTACT ARRANGEMENT (As per table 1)

Specify the number of "MAKES" followed by M; i.e. 5M
Specify the number of "BREAKS" followed by B; i.e. 5B

Australian Content

Unless otherwise stated the product(s) quoted are manufactured by RMS at our production facility in Melbourne Australia. Approximately 60% of our sales volume is derived from equipment manufactured in house with a local content close to 80%. Imported components such as semi-conductors are sourced from local suppliers & preference is given for reasonable stock holding to support our build requirements.

Quality Assurance

RMS holds NCSI (NATA Certification Services International), registration number 6869 for the certification of a quality assurance system to AS/NZS ISO9001-2008. Quality plans for all products involve 100% inspection and testing carried out before despatch. Further details on specific test plans, quality policy & procedures may be found in section A4 of the RMS product catalogue.

Product Packaging

Protection relays are supplied in secure individual packing cardboard boxes with moulded styrene inserts suitable for recycling. Each product & packing box is labeled with the product part number, customer name & order details.

Design References

The products & components produced by RMS are based on many years of field experience since Relays Pty Ltd was formed in 1955. A large population of equipment is in service throughout Australia, New Zealand, South Africa & South East Asia attesting to this fact. Specific product & customer reference sites may be provided on application.

Product Warranty

All utility grade protection & auxiliary relay products, unless otherwise stated, are warranted for a period of 24 months from shipment for materials & labour on a return to factory basis. Repair of products damaged through poor application or circumstances outside the product ratings will be carried out at the customer's expense.

Standard Conditions of Sale

Unless otherwise agreed RMS Standard Terms & Conditions (QF 907) shall apply to all sales. These are available on request or from our web site.



Relay Monitoring Systems Pty Ltd

6 Anzed Court, Mulgrave, Victoria 3170, AUSTRALIA

Tel: +61 3 8544 1200 Fax: +61 3 8544 1201 Email: rms@rmspl.com.au Web: www.rmspl.com.au