

**Features**

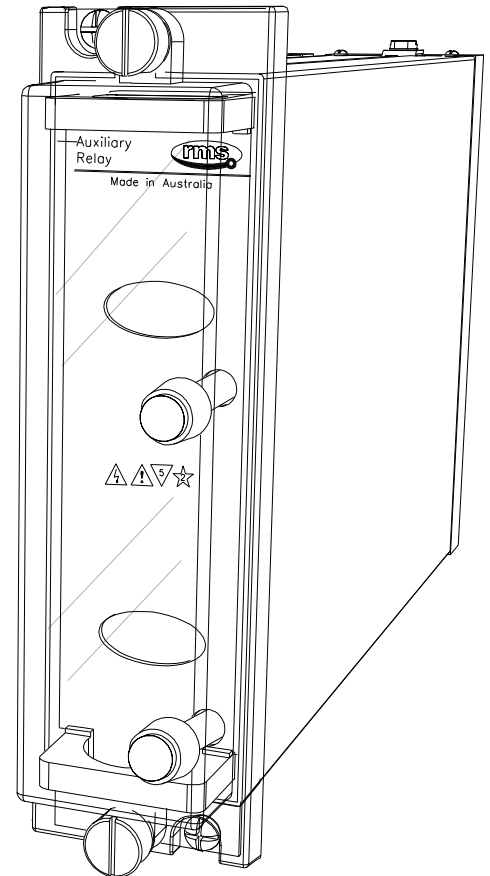
- Low burden
- Hand reset contacts & flag
- 6 contacts - specify M or B
- Draw out case
- Two elements in one case
- Equivalent function to MVAA23
- 6RM206 specification

**Application**

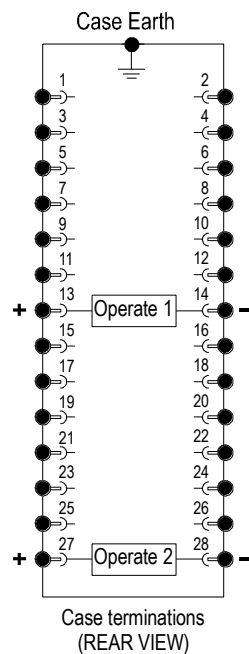
The operating element for the 6R MATRIX Auxiliary Relay functional elements are designated 6RM & are based on our 6R Series relays.

The type 6RA Series elements are low burden auxiliary relays which can be used where a scheme demands several contacts for event recording, alarm initiation, contact logic arrangements, etc.

Contacts are constructed from silver / copper alloy, shaped & positioned to ensure very reliable, low resistance operation. Over travel of the contacts during each operation causes a wiping action ensuring a clean "make".



2M28 draw out case



Relay 1	6RA23-6 Terminal Numbers					
Contacts	1-3	2-4	5-7	6-8	9-11	10-12
6M	M	M	M	M	M	M
5M+1B	M	M	M	M	M	B
4M+2B	M	M	M	M	B	B
3M+3B	M	M	M	B	B	B
2M+4B	M	M	B	B	B	B
1M+5B	M	B	B	B	B	B
6B	B	B	B	B	B	B

Relay 2	6RA23-6 Terminal Numbers					
Contacts	15-17	16-18	19-21	20-22	23-25	24-26
6M	M	M	M	M	M	M
5M+1B	M	M	M	M	M	B
4M+2B	M	M	M	M	B	B
3M+3B	M	M	M	B	B	B
2M+4B	M	M	B	B	B	B
1M+5B	M	B	B	B	B	B
6B	B	B	B	B	B	B

**BURDEN (Maximum)**

Operating burden is <2W at nominal voltage.

**OPERATED BURDEN** (Burden after pick up at nominal)  
Hand reset contacts: 1W

Where a zero operated burden is required a break contact should be wired in series with the relay operate circuit.

**THERMAL RATING**

All operate & reset circuits are designed to withstand continuous application of 120% of nominal voltage

**OPERATING TIME**

All contact configurations: 75ms maximum

**CONTACT OPERATION**

Latching contacts with front panel hand reset button.

**FLAG OPERATION**

Each relay element is supplied with a flag (target) indicator. The indicator consists of a high visibility solid dayglow orange mechanical flag.

Operation: Drops on coil energisation.  
Reset: Hand reset with contacts.

**OPERATING VOLTAGE RANGE**

Guaranteed operation between 75% & 120% of nominal rated operating voltage.

**NOMINAL OPERATING VOLTAGES**

24, 32, 48, 110, 125, 220, 240 & 250V DC available.

**CONTACTS**

6 contacts  
User to specify combination of make & break contacts

# Ordering Codes

Generate the required ordering code as follows:  
e.g. 6RA23-6-D-4M2B



**1 NOMINAL OPERATE VOLTAGE**

- |           |           |
|-----------|-----------|
| A 24V DC  | E 125V D  |
| B 32V DC  | G 220V DC |
| C 48V DC  | H 240V DC |
| D 110V DC | F 250V DC |

**2 CONTACT ARRANGEMENT** (Not to exceed maximum)

Specify the number of "MAKES" followed by M; i.e. 4M  
Specify the number of "BREAKS" followed by B; i.e. 2B

**6R RELAY CONTACT RATINGS**

**Make & Carry Continuously**

3,000 VA AC resistive with maximums of 660V & 12A  
3,000 W DC resistive with maximums of 660V & 12A

**Make & Carry for 3 Seconds**

7,500 VA AC resistive with maximums of 660V & 30A  
7,500 W DC resistive with maximums of 660V & 30A

**AC Break Capacity**

3,000 VA AC resistive with maximums of 660V & 12A

**DC Break Capacity (Amps)**

Voltage		24V	48V	125V	250V
Resistive rating		12	2	0.5	0.25
L/R=40ms	Maximum break	12	1	0.25	0.15

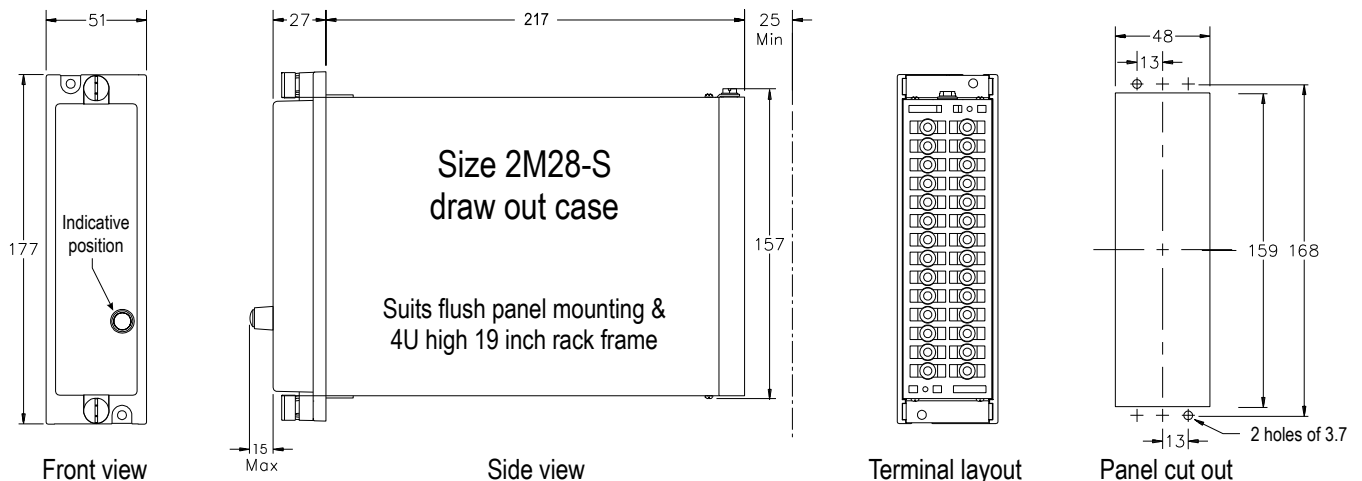
**INSULATION WITHSTAND** in accordance with IEC 255-5:

2KV RMS & 1.2/50 5KV impulse between:

- ◆ all terminals & frame
- ◆ each contact group
- ◆ all contacts & coil

**CASE SIZE**

2M28-S draw out case





[www.rmspl.com.au](http://www.rmspl.com.au)



Relay Monitoring Systems Pty Ltd design, manufacture and market a wide range of electrical protection and control products for application on high voltage power systems. The company's depth of manufacturing and engineering expertise is backed up by many years of experience since the formation of its predecessor, Relays Pty Ltd (RPL), in 1955. This experience combined with a broad base of field proven product types enables RMS to service specific customer needs by producing relays on demand and with typically short lead times.

Relay Monitoring Systems Pty Ltd

6 Anzed Court  
Mulgrave, Victoria 3170  
AUSTRALIA  
Ph: +61 3 8544 1200  
Fax +61 3 8544 1201  
Sales: [rms@rmspl.com.au](mailto:rms@rmspl.com.au)  
[www.rmspl.com.au](http://www.rmspl.com.au)  
[www.relays.com.au](http://www.relays.com.au)

#### ISO9001 Quality Accreditation

RMS holds NCSI (NCS International Pty Limited) registration number 6869 for the certification of a quality system to AS/NZS ISO9001:2008.

Due to RMS continuous product improvement policy the information contained in this document is subject to change without prior notice.

© 2014 Relay Monitoring Systems Pty Ltd ABN 76 052 484 483