



Delta XRD Test Manual Supervision Relay

relay monitoring systems pty ltd

Advanced Protection Devices





Delta XRD Test Manual

Links to Other Documents

Technical Bulletin: http://www.rmspl.com.au/handbook/delta_xrd.pdf

Test Certification

This is to certify that the equipment detailed below has been manufactured, inspected & tested in accordance with a Quality System which complies with the requirements of AS/NZS ISO9001-2008.

Job Number	Serial Number

Only valid when the "Passed" box has been signed off by Production Personnel.

Version Control

Issue	Date	Summary of changes
A	06/06/14	Initial issue.

Due to RMS continuous product improvement policy this information is subject to change without notice.
This document is uncontrolled and subject to copyright.

Author	Checked	PDF file created	Registered & Released
SG	SG	SG	SG



1.0 ORDER CODE DEFINITION

The order code definition is described below and highlighted for the products manufactured with the Job Number shown on page 1.

XRD		<input type="text"/>	<input type="text"/>	<input type="text"/>	Digital Setting Time Delay Relay
Auxiliary Supply Range	4				Trip supply supervision
	6				Trip circuit supervision
Timing Reset Function		A	24 V DC		
		B	32 V DC		
		C	48 V DC		
		D	110 V DC		
		E	125 V DC		
		F	220 V DC		
		G	240 V DC		
		H	250 V DC		
Mounting Configuration		A	Surface or rail mounting		
		B	Panel mounting		
Options		-			

2.0 VERIFICATION

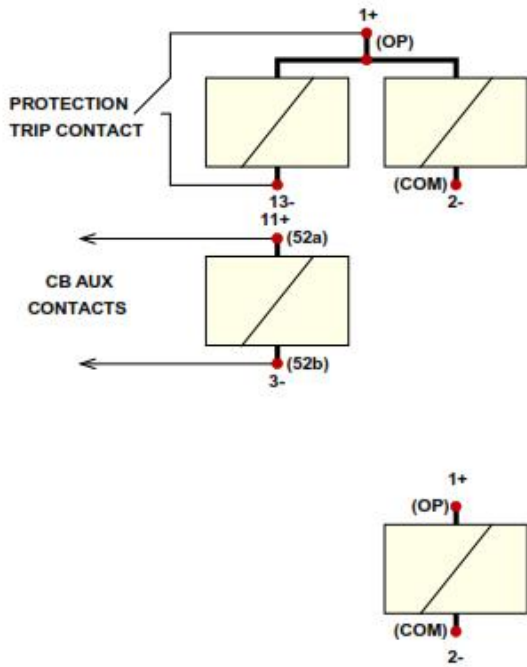
This is to certify that the equipment has been manufactured, inspected and tested in accordance with a Quality System, which complies with the requirements of ISO9001: 2008.

Testing has been carried out against the declared performance specification 112-106-800 and in accordance with the relevant International (IEC) Standards.

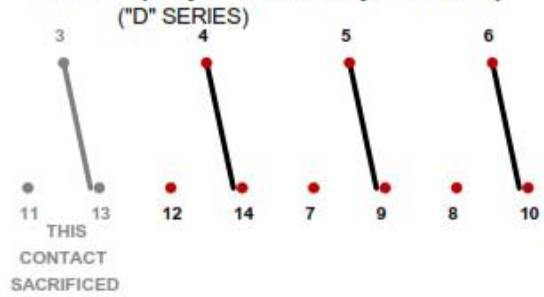
PASSED BY	DATE



3.0 CONNECTION DIAGRAM



XRD-6 (Trip Circuit Supervision)



XRD-4# (Trip Supply Supervision)

