

2V67H Software

Multi Stage Voltage Relay

relay monitoring systems Pty Ltd

Advanced Protection Devices



User Guide



Test Manual



Relay Software



MATRIXwin



2V67H Relay Software

Links to Other Documents

User Guide: http://www.rmspl.com.au/userguide/2v67_user_guide.pdf

User Guide: http://www.rmspl.com.au/userguide/2v67-s_user_guide.pdf

Software Downloads: <http://www.rmspl.com.au/digital/umatrix.htm>

Version Control

Issue	Date	Summary of changes
A	06/03/2008	Initial release
B	15/09/2008	New UMX release
C	21/04/2009	UMX update

Due to RMS continuous product improvement policy this information is subject to change without notice.
This document is uncontrolled and subject to copyright.

Author	Checked & Registered	.pdf file created	Released
ARF	DG	DG	



3.0 DESCRIPTION – UMX2V067H.UMX

3.1 Standard Features

The 2V67 & 2V67-S provide a range of standard features as described in the RMS Technical Bulletins that may be downloaded from the RMS website.

3.2 Special Features of this Software UMX Version

The H UMX software supports 2V67 single phase hardware.

'Disable' indicator on front panel.



4.0 USER INTERFACE

Refer to the μ MATRIX Users Guide for detailed instructions on the operation of the user interface.

To download a PDF version of the guide uMatrix: www.rmspl.com.au/digital/umatrixinfo.pdf

To download a PDF version of the guide uMatrix-S: www.rmspl.com.au/digital/umatrix-s_info.pdf

To download USB VCP drivers for uMATRIX-S: www.rmspl.com.au/umatrix.htm

5.0 LOAD SOFTWARE

Loading a UMX requires at least the following:

A PC with Windows 2000 or later and at least one COM (uMatrix) or USB (uMatrix-S) port.

(Note: USB comms require drivers to be installed on your PC. See section 4.0 downloads.)

UMatrixWin software.

The correct communications cable.

A general understanding of how UMX and UMP files work with the relay.

Settable parameters will be overwritten by loading a new UMX file. They can however, be saved to a UMP file and then returned to the relay later. To learn how to do this, refer to the uMatrix Userguide.

5.1 Loading the UMX

Before loading the UMX2V067B software, ensure that it is compatible with your hardware. Download the compatibility list from the RMS website at:

www.rmspl.com.au/digital/compatibility.pdf

Ensure that the bios version in the relay matches the table in section 2.0 of this document. (If the bios version is different, you may not be able to load this UMX. Contact RMS for support.)

Load the UMX via the front panel COM port using the 'uMatrixWin' software.

Ensure that the UMX version matches the table in section 2.0.

To interrogate for versions, press 'SET' and 'DATA' buttons simultaneously, then select 'Version Page'. Alternatively, use uMatrixWin – Options – Utilities.

Check versions

5.2 Customer Default UMP

Load customer UMP file as per the Job Card. If no UMP file is requested, write N/A in check box.

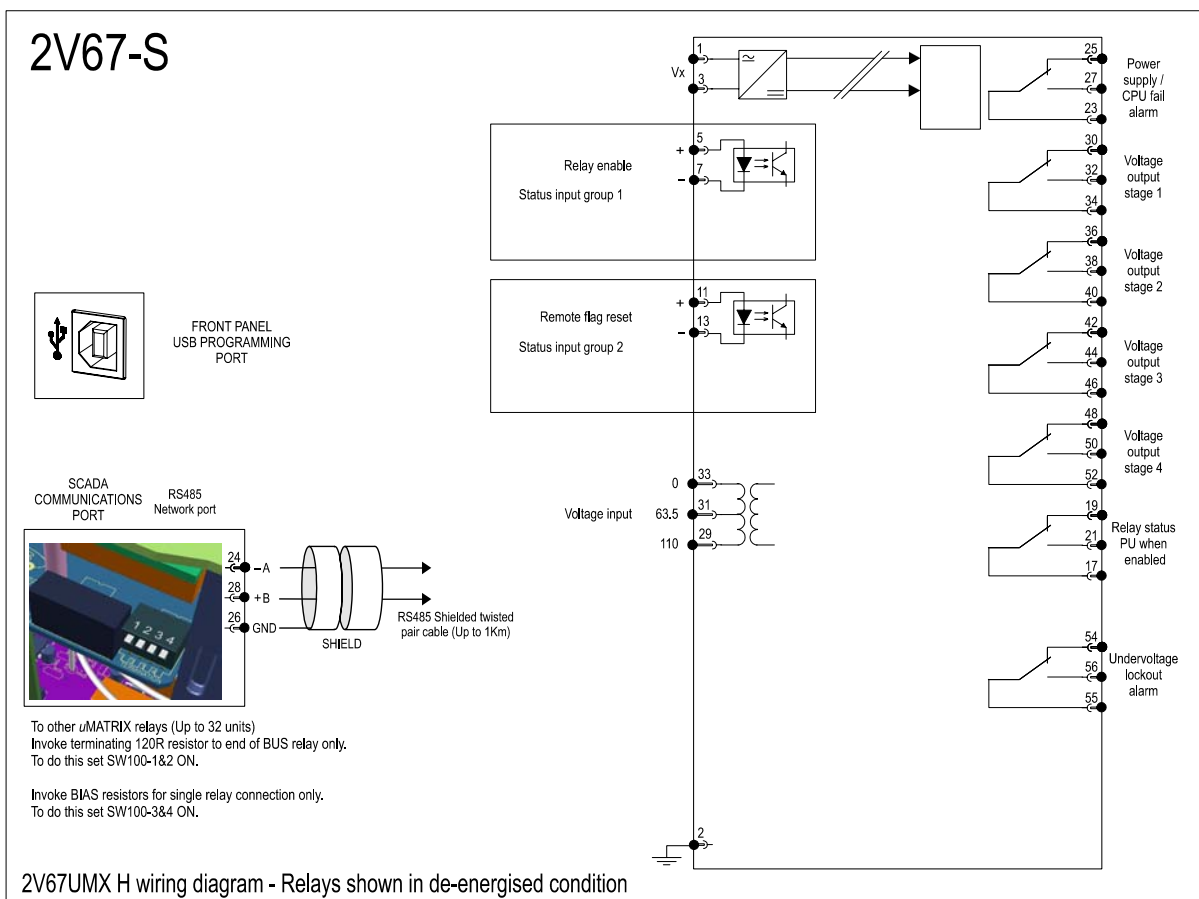
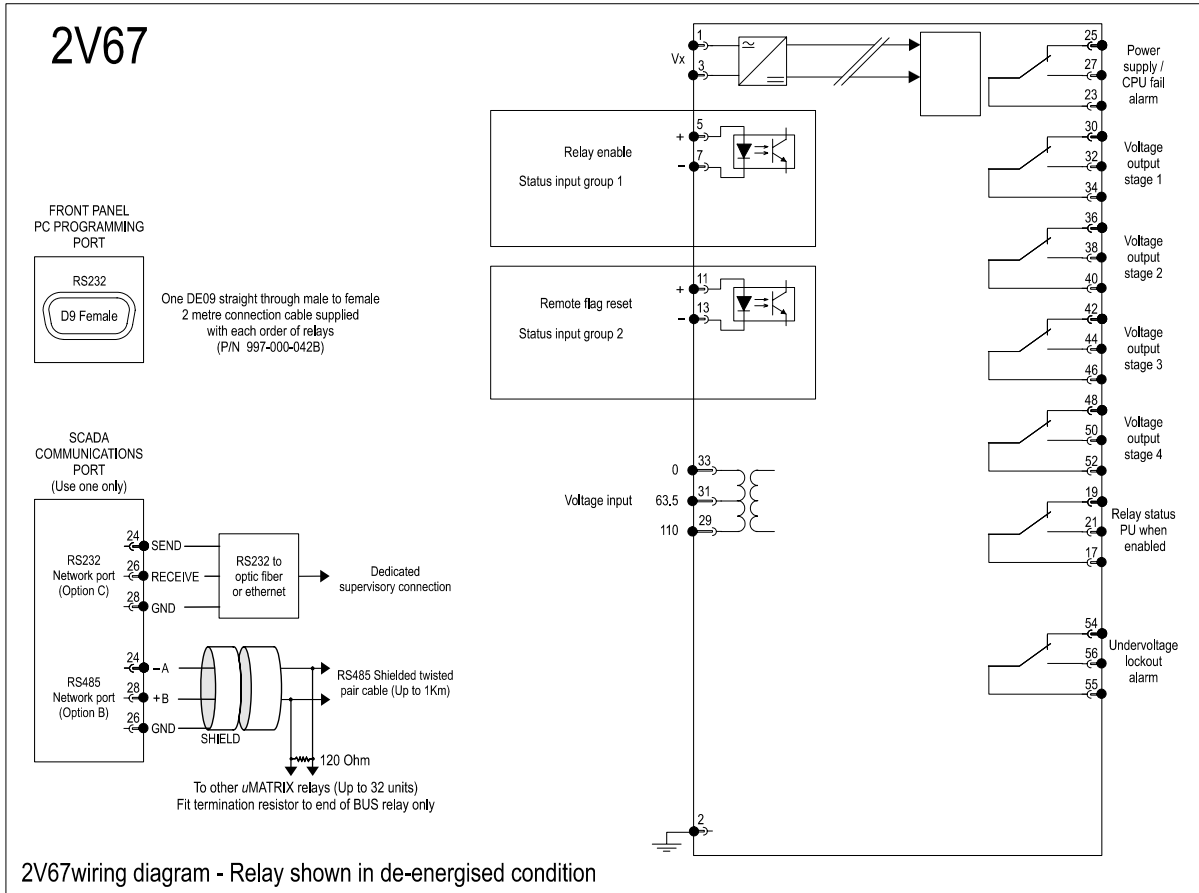
UMP file name

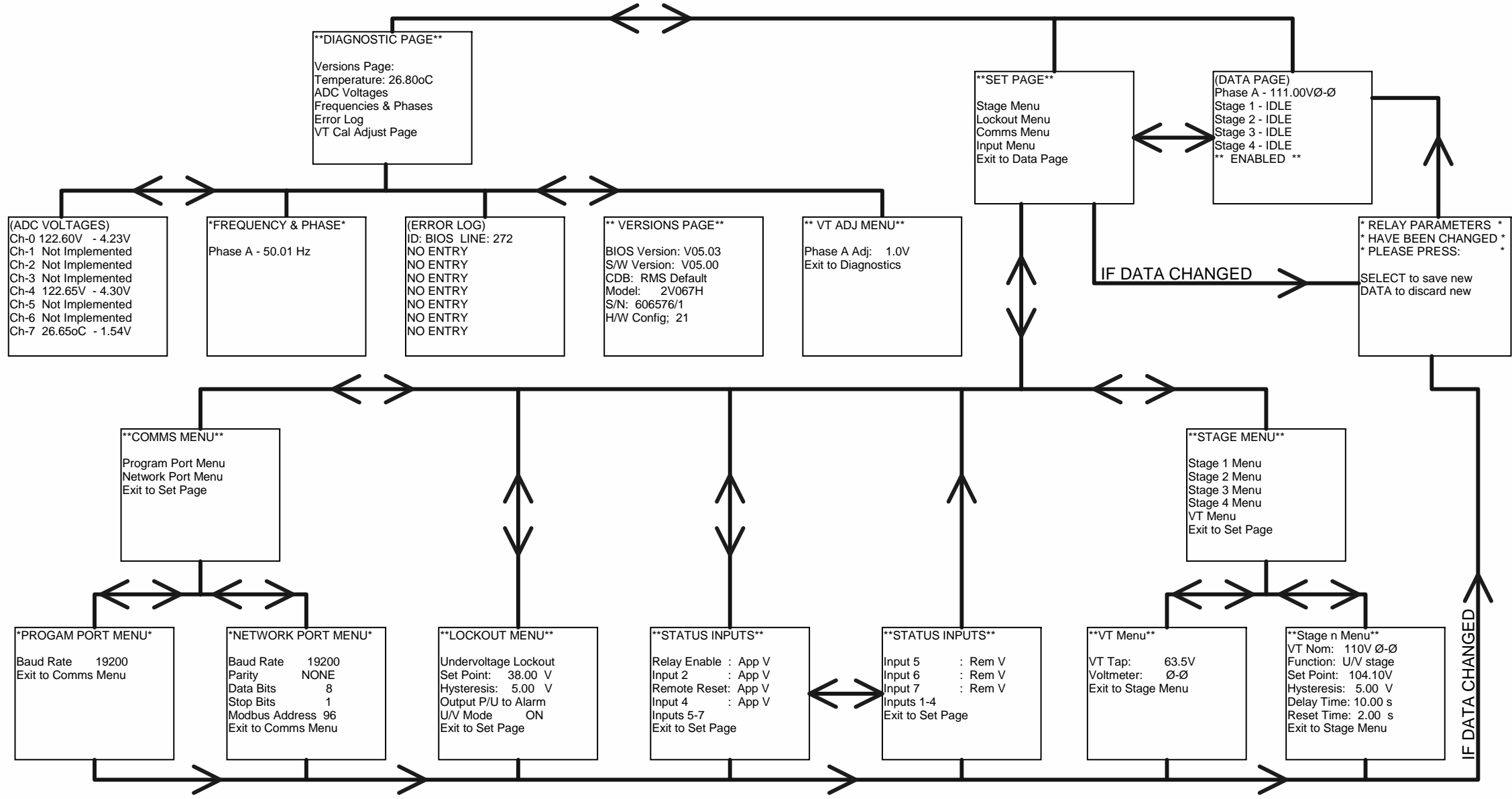
The Relay is now ready for field use.

SOFTWARE INSTALLED BY

DATE :

6.0 CONNECTION DIAGRAM





MATERIAL: See * for Materials List		FINISH: N.A.		Cannot open file D:\THE_CHIP\RMS\LIBRARIES\PROTEL 98\SCHEMATIC\logo.wmf		This document is copyright to Relay Monitoring Systems PTY LTD and may not be copied or used without prior written consent.		Uncontrolled UDocument		USE ONLY FOR JOB No. J/N:	
Unless otherwise stated: SMD Resistors are 1/8W 1% 0805 Metal Film SMD Capacitors <100P are 50V 0805 NPO SMD Capacitors >100P and < 1n0 are 100V 0805 NPO SMD Capacitors >1n0 and < 1u0 are 50V 0805 X7R				www.rmspl.com.au		TYPE No. 2V067H		MENU STRUCTURE			
DRAWN		DATE		SHEET: A3		SCALE: D.N.S		SHEET: 1 OF: 1			
D.W.B		02/02/2008		L:\ENGP\Projects\2v067-s\Firmware\Specification\2V067_H_MENU_0503.schdoc		RMS-A3.SCHDOT Iss A		3rd Angle projection			

V05.03
2V067_H_MENU_0503