

2V67E Software

Multi Stage Voltage Relay

relay monitoring systems pty ltd

Advanced Protection Devices



User Guide



Test Manual



Relay Software



µMATRIXwin



2V67E Relay Software

Links to Other Documents

User Guide: http://www.rmspl.com.au/userguide/2v67_user_guide.pdf

User Guide: http://www.rmspl.com.au/userguide/2v67-s_user_guide.pdf

Software Downloads: <http://www.rmspl.com.au/digital/umatrix.htm>

Version Control

Issue	Date	Summary of changes
F	21/04/2009	UMX update
B	17/08/2005	New UMX release
C	25/01/2007	63.5V tap removed (QCR686)
D	14/04/2008	New UMX release
E	15/09/2008	New UMX release

Due to RMS continuous product improvement policy this information is subject to change without notice.
This document is uncontrolled and subject to copyright.

Author	Checked & Registered	.pdf file created	Released
ARF	DG	DG	

3.0 DESCRIPTION – UMX2V067E.UMX

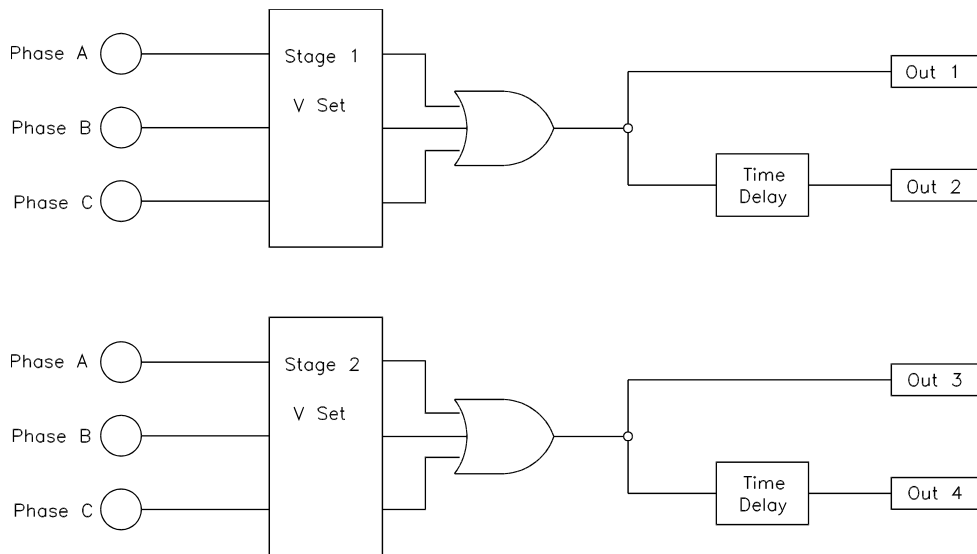
3.1 Standard Features

The 2V67 & 2V67-S provide a range of standard features as described in the RMS Technical Bulletins that may be downloaded from the RMS website.

3.2 Special Features of this Software UMX Version

The E UMX software supports 2V67 three phase hardware.

Logic Diagram Voltage Setting and Timers





4.0 USER INTERFACE

Refer to the μ MATRIX Users Guide for detailed instructions on the operation of the user interface.

To download a PDF version of the guide uMatrix: www.rmspl.com.au/digital/umatrixinfo.pdf

To download a PDF version of the guide uMatrix-S: www.rmspl.com.au/digital/umatrix-s_info.pdf

To download USB VCP drivers for uMATRIX-S: www.rmspl.com.au/umatrix.htm

5.0 LOAD SOFTWARE

Loading a UMX requires at least the following:

A PC with Windows 2000 or later and at least one COM (uMatrix) or USB (uMatrix-S) port.

(Note: USB comms require drivers to be installed on your PC. See section 4.0 downloads.)

UMatrixWin software.

The correct communications cable.

A general understanding of how UMX and UMP files work with the relay.

Settable parameters will be overwritten by loading a new UMX file. They can however, be saved to a UMP file and then returned to the relay later. To learn how to do this, refer to the uMatrix Userguide.

5.1 Loading the UMX

Before loading the UMX2V067E software, ensure that it is compatible with your hardware. Download the compatibility list from the RMS website at:

www.rmspl.com.au/digital/compatibility.pdf

Ensure that the bios version in the relay matches the table in section 2.0 of this document. (If the bios version is different, you may not be able to load this UMX. Contact RMS for support.)

Load the UMX via the front panel COM port using the 'uMatrixWin' software.

Ensure that the UMX version matches the table in section 2.0.

To interrogate for versions, press 'SET' and 'DATA' buttons simultaneously, then select 'Version Page'. Alternatively, use uMatrixWin – Options – Utilities.

Check versions

5.2 Customer Default UMP

Load customer UMP file as per the Job Card. If no UMP file is requested, write N/A in check box.

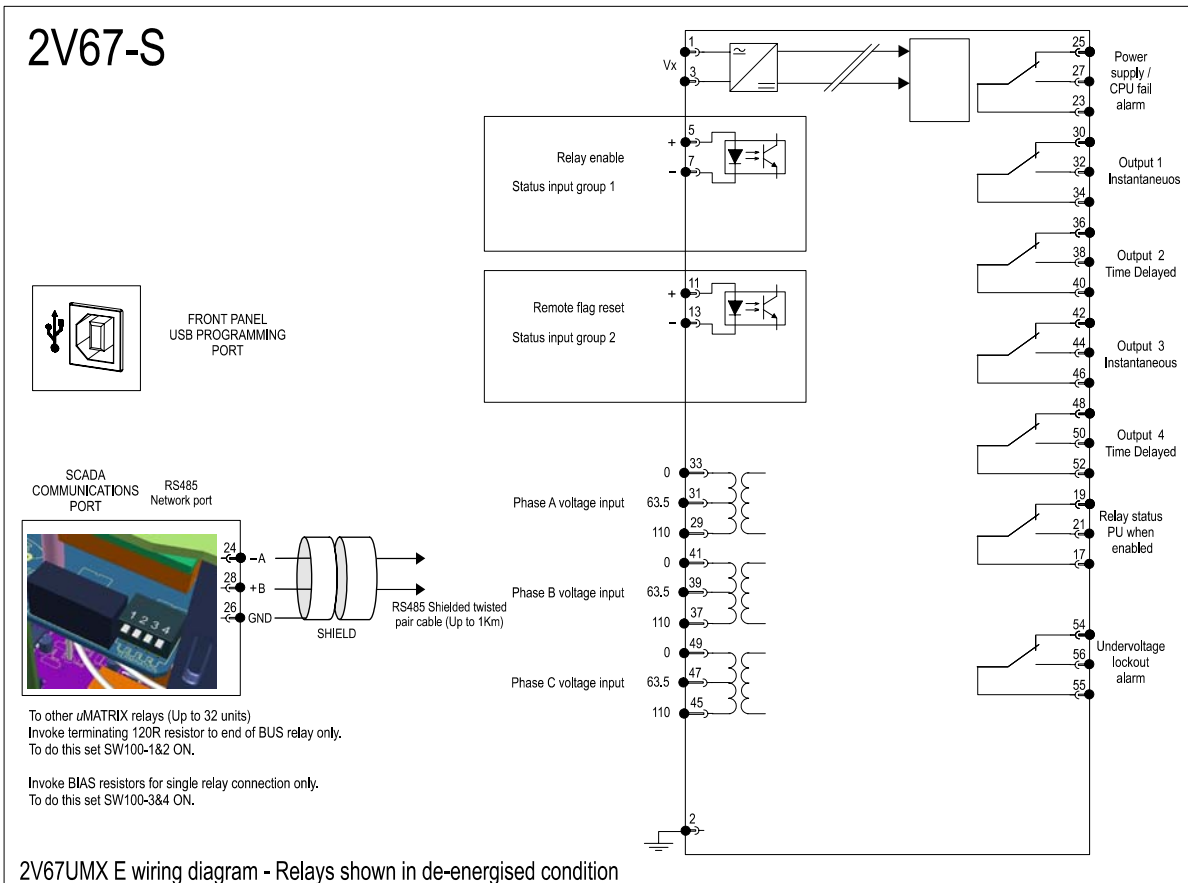
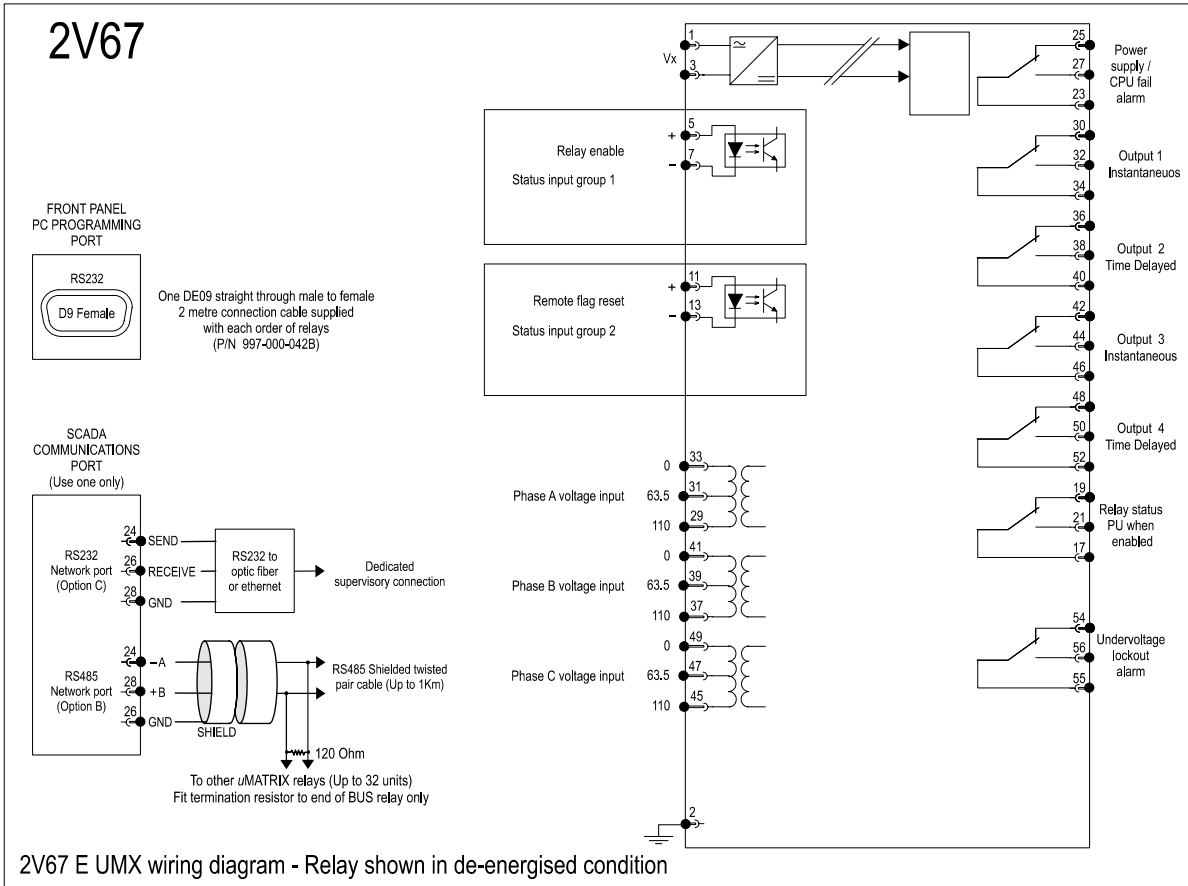
UMP file name

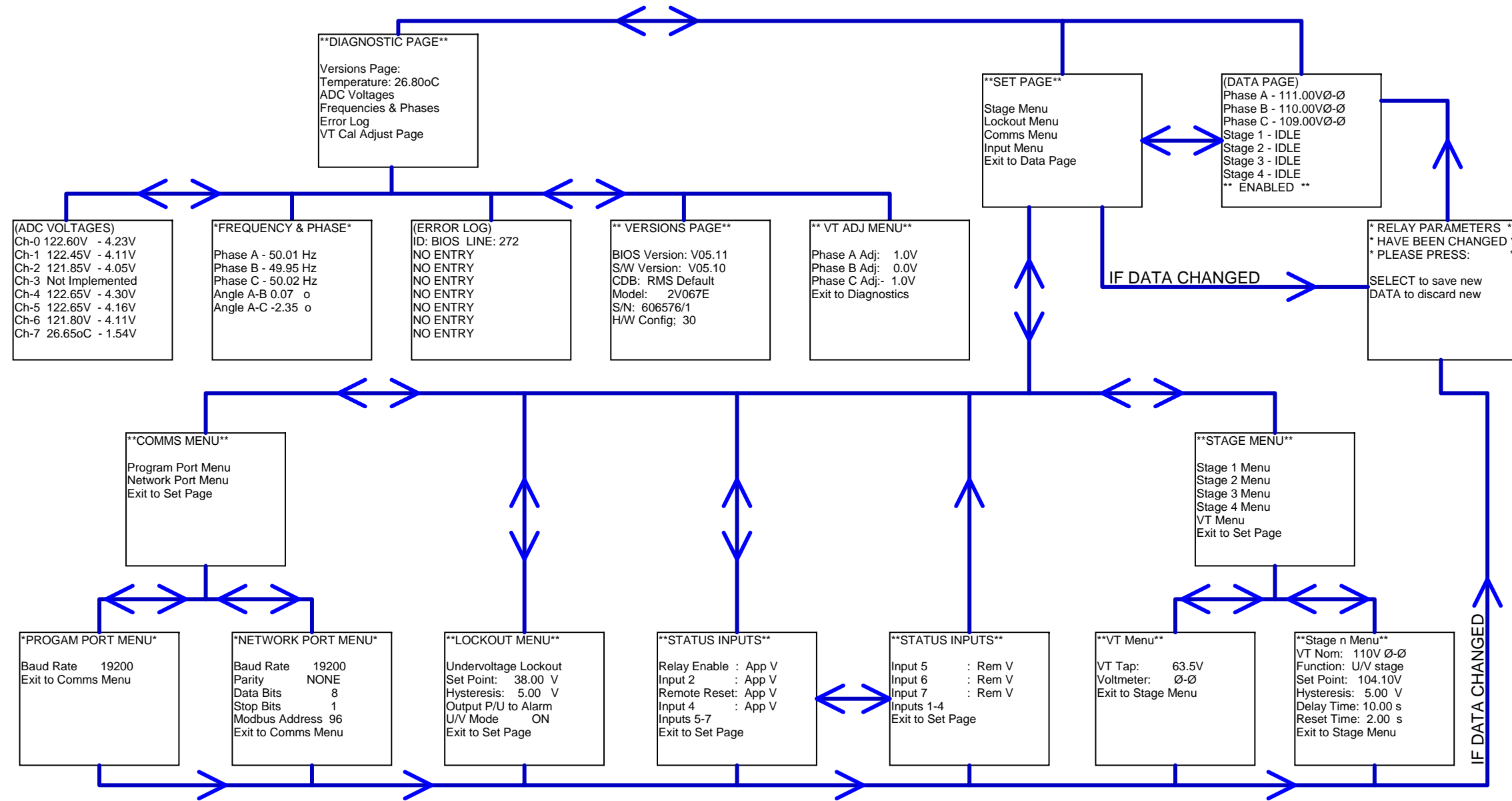
The Relay is now ready for field use.

SOFTWARE INSTALLED BY

DATE :

6.0 CONNECTION DIAGRAM





Amendments		2V067E		(3 PHASE, 2 STAGE, UNDER/OVER)	
Cannot open file D:\THE_CHIP\RMS\LIBRARIES\PR OTEL 98\SCHEMATIC\logo.wmf		MENU STRUCTURE			
DRAWN	DATE	D/O CHECK	DATE	APPV CHECK	DATE
D.W.B	25/03/2009				
DRAWING NUMBER				ISSUE	
2V067_E_MENU_0513				N.I.	
DATE: 25/03/2009 TIME: 11:00:17 AM		SHEET:		SCALE:	
FILE NAME: L:\ENG\Projects\2v067-s\Firmware\Specification\2V067_E_MENU_0513.SchDoc		CURRENT CN		SHEET: 1 OF: 1	