

2V67D Software

Multi Stage Voltage Relay

relay monitoring systems pty ltd

Advanced Protection Devices



User Guide



Test Manual



Relay Software



µMATRIXwin



2V67D Relay Software

Links to Other Documents

User Guide: http://www.rmspl.com.au/userguide/2V67_user_guide.pdf

Software Downloads: <http://www.rmspl.com.au/digital/umatrix.htm>

Version Control

Issue	Date	Summary of changes
A	08/11/2002	Initial issue
B	05/08/2003	Output relay specification changed
C	29/08/2003	New format
D	06/03/2008	UMX Upgrade

Due to RMS continuous product improvement policy this information is subject to change without notice.
This document is uncontrolled and subject to copyright.

Author	Checked & Registered	.pdf file created	Released
ARF	DG	DG	

3.0 DESCRIPTION – UMX2V067D.UMX

3.1 Standard Features

The 2V67 provides a range of standard features as described in the RMS Technical Bulletin that may be downloaded from:

<http://www.rmspl.com.au/handbook/2v67.pdf>

3.2 Special Features of this Software UMX Version

The D UMX software supports 2V67 three phase hardware.

Each phase or all phases trip a common group of output relays when the monitored voltage falls outside the setpoint, and the delay time has been exceeded.

3.2.1 Voltage Set Points

Inputs:	3 phase 110V AC
Setting stages:	Common settable voltage
Setting range	30 to 132VAC in 1 volt steps
Hysteresis:	1.0 to 10V
Undervoltage function:	DO at set point
PU at set point + hysteresis	
Measurement resolution:	0.05V (0.1V displayed)
Measurement accuracy:	+/-0.25V

3.2.2 Delay Timers

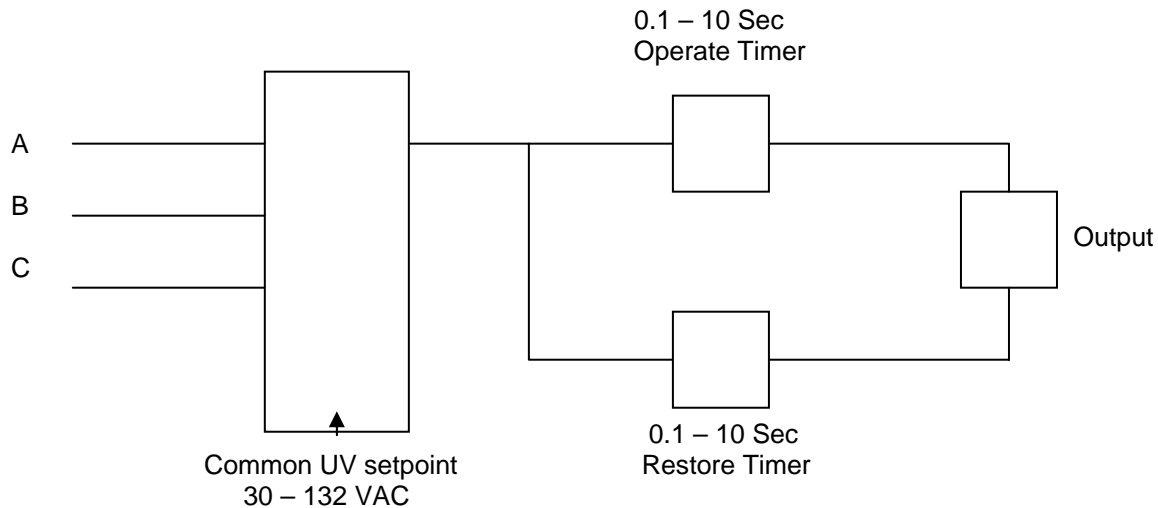
Operate Time delay	0.1 – 10.0 seconds 100ms steps
Reset time delay	0.1 – 10.0 seconds 100ms steps

3.2.3 Voltage Setting Window

The 2V67 relay provides a Voltage Setting Window as follows:

- b) Three Phase Under Voltage Set Point
- c) Voltage Reset Hysteresis

3.2.4 Logic Diagram Voltage Setting And Timers



3.2.5 Voltage Monitoring Functionality

Timers Start

When an UV set point is reached, the corresponding Trip timer starts.

Trip Time Out

Provided the start condition is maintained for the duration of the trip time delay, the UV output contacts will pick up and the corresponding front panel LED indicator will come on.

If the UV condition is removed, the output contacts will reset after the reset time has elapsed.

Relay Reset

Reset of the relay is determined by the hysteresis and the reset time settings. For under voltage detection, reset will occur at the set point plus the hysteresis setting if the condition is maintained for the duration of the reset delay.

Flag Reset

The Trip LEDs are self reset



4.0 USER INTERFACE

Refer to the μ MATRIX Users Guide for detailed instructions on the operation of the user interface.

To download a PDF version of the guide:
www.rmspl.com.au/digital/uMATRIXInfo.pdf

To download further μ MATRIX software & documentation:
www.rmspl.com.au/uMATRIX.htm

5.0 LOAD SOFTWARE

Loading a UMX requires at least the following:
A PC with Windows 98 or later and at least one COM port.
UMatrixWin software.
The correct serial cable.
A general understanding of how UMX and UMP files work with the relay.

Settable parameters will be overwritten by loading a new UMX file. They can however, be saved to a UMP file and then returned to the relay later. To learn how to do this, refer to the uMatrix Userguide.

5.1 Loading the UMX

Before loading the UMX2V067D software, ensure that it is compatible with your hardware. Download the compatibility list from the RMS website at:

www.rmspl.com.au/digital/compatibility.pdf

Ensure that the bios version in the relay matches the table in section 2.0 of this document. (If the bios version is different, you may not be able to load this UMX. Contact RMS for support.)

Load the UMX via the front panel COM port using the 'uMatrixWin' software.
Ensure that the UMX version matches the table in section 2.0.

To interrogate for versions, press 'SET' and 'DATA' buttons simultaneously, then select 'Version Page'. Alternatively, use uMatrixWin – Options – Utilities.

Check versions

5.2 Customer Default UMP

Load customer UMP file as per the Job Card. If no UMP file is requested, write N/A in check box.

UMP file name

The Relay is now ready for field use.

SOFTWARE INSTALLED BY

DATE :

6.0 CONNECTION DIAGRAM

