

2V67A Software

Multi Stage Voltage Relay

relay monitoring systems pty ltd

Advanced Protection Devices



User Guide



Test Manual



Relay Software



μMATRIXwin



2V67A Relay Software

Links to Other Documents

User Guide: http://www.rmspl.com.au/userguide/2v67_user_guide.pdf

User Guide: http://www.rmspl.com.au/userguide/2v67-s_user_guide.pdf

Software Downloads: <http://www.rmspl.com.au/digital/umatrix.htm>

Version Control

Issue	Date	Summary of changes
I	05/03/2008	UMX Update
J	12/09/2008	UMX Update
K	16/04/2009	UMX Update
F	16/11/2004	UMX feature update.
G	23/01/2008	UMX update
H	31/01/2007	63.5V VT tap added to the connection diagram

Due to RMS continuous product improvement policy this information is subject to change without notice.
This document is uncontrolled and subject to copyright.

Author	Checked & Registered	.pdf file created	Released
ARF	DG	DG	



1.0 OVERVIEW

The 2V67 Series relay is a voltage monitoring relay with four stages of adjustable voltage pick up & drop out points. Each voltage set point can be set for under or overvoltage operation & has an independent time delay driving an output relay. An undervoltage lockout is used to disable the four voltage outputs when the voltage falls below a preset level. A single status input is used to enable the four voltage sensing stages.

The 2V67 relay is built on the Micro MATRIX digital platform. The standard Micro MATRIX human machine interface (HMI) is combined with fully solid-state voltage sensing & measuring circuitry to provide high accuracy, simple set up & flexible operation. Self-monitoring is carried out by hardware & software watchdogs. A CPU software watchdog records abnormal events & performs automatic periodic checks High speed, high contact rating output relays are used.

A programming port is provided for ease of establishing relay settings using a PC & μ MATRIXwin.

2.0 SOFTWARE VERSION CONTROL REGISTER

The following table is a register of the changes for the **UMX2V067A.umx** file.

DATE	SOFTWARE	CHANGES	BIOS	FIRST HARDWARE
10/06/2002	02.20	Initial release of three pole version.	03.11+	2V67K1
26/07/2002	02.21	Update to firmware numbering protocol	03.11 - 03.14+	2V67K1
06/03/2003	02.41	Add Lockout sense option to HDD	03.14+	2V67K6
07/10/2003	05.01	Feature upgrade	05.xx	2V67K1
15/11/2004	05.10	Add U/V lockout mode control	05.xx	
23/01/2008	05.20	Voltage scaling added for Ph-Ph and Ph-N measurements	05.xx	
27/02/2008	05.21	Fix Calibration Adjust Initialisation error.	05.xx	
11/09/2008	05.22	Fix Phase B Comparator fault	05.xx	
07/04/2009	05.23	Fix lockup in timer state machine	05.xx	



3.0 DESCRIPTION – UMX2V067A.UMX

3.1 Standard Features

The 2V67 & 2V67-S provide a range of standard features as described in the RMS Technical Bulletins that may be downloaded from the RMS website.

3.2 Special Features of this Software UMX Version

The A UMX software supports 2V67 three phase hardware.



4.0 USER INTERFACE

Refer to the *u*MATRIX Users Guide for detailed instructions on the operation of the user interface.

To download a PDF version of the guide uMatrix: www.rmspl.com.au/digital/umatrixinfo.pdf

To download a PDF version of the guide uMatrix-S: www.rmspl.com.au/digital/umatrix-s_info.pdf

To download USB VCP drivers for uMATRIX-S: www.rmspl.com.au/umatrix.htm

5.0 LOAD SOFTWARE

Loading a UMX requires at least the following:

A PC with Windows 2000 or later and at least one COM (uMatrix) or USB (uMatrix-S) port.
(Note: USB comms require drivers to be installed on your PC. See section 4.0 downloads.)

UMatrixWin software.

The correct communications cable.

A general understanding of how UMX and UMP files work with the relay.

Settable parameters will be overwritten by loading a new UMX file. They can however, be saved to a UMP file and then returned to the relay later. To learn how to do this, refer to the uMatrix Userguide.

5.1 Loading the UMX

Before loading the UMX2V067A software, ensure that it is compatible with your hardware. Download the compatibility list from the RMS website at:

www.rmspl.com.au/digital/compatibility.pdf

Ensure that the bios version in the relay matches the table in section 2.0 of this document. (If the bios version is different, you may not be able to load this UMX. Contact RMS for support.)

Load the UMX via the front panel COM port using the 'uMatrixWin' software.

Ensure that the UMX version matches the table in section 2.0.

To interrogate for versions, press 'SET' and 'DATA' buttons simultaneously, then select 'Version Page'. Alternatively, use uMatrixWin – Options – Utilities.

Check versions

5.2 Customer Default UMP

Load customer UMP file as per the Job Card. If no UMP file is requested, write N/A in check box.

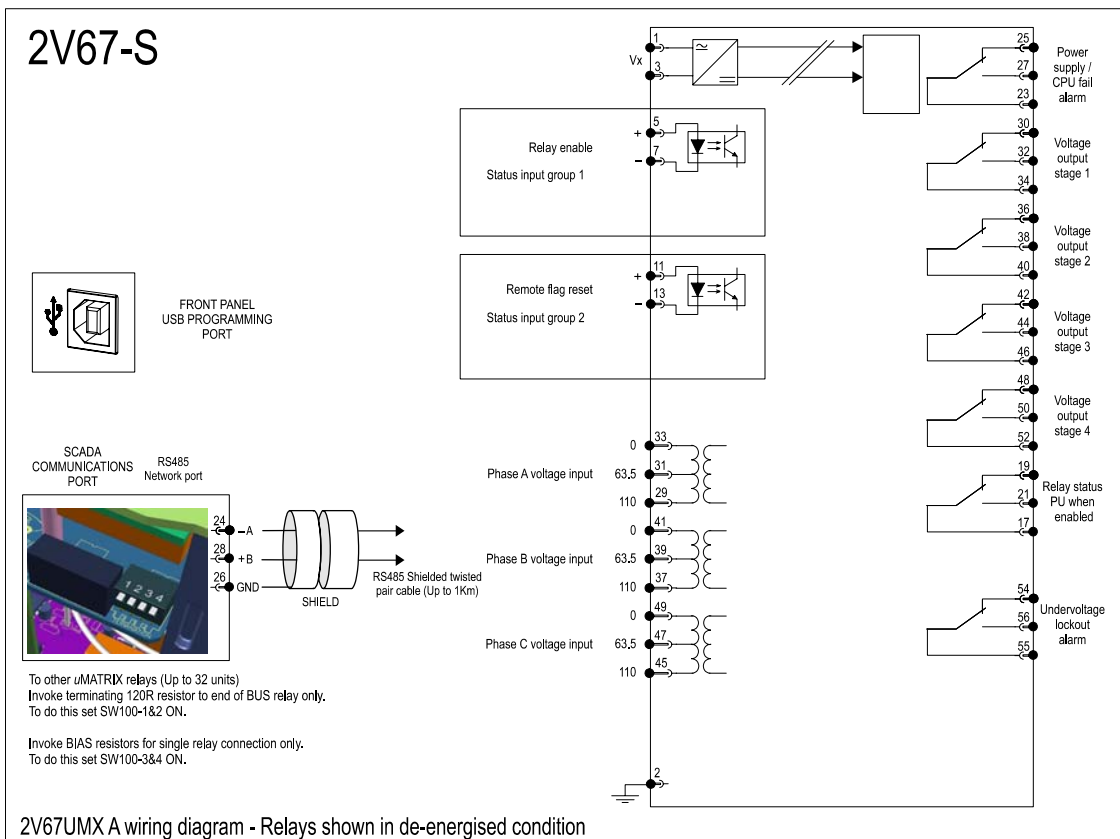
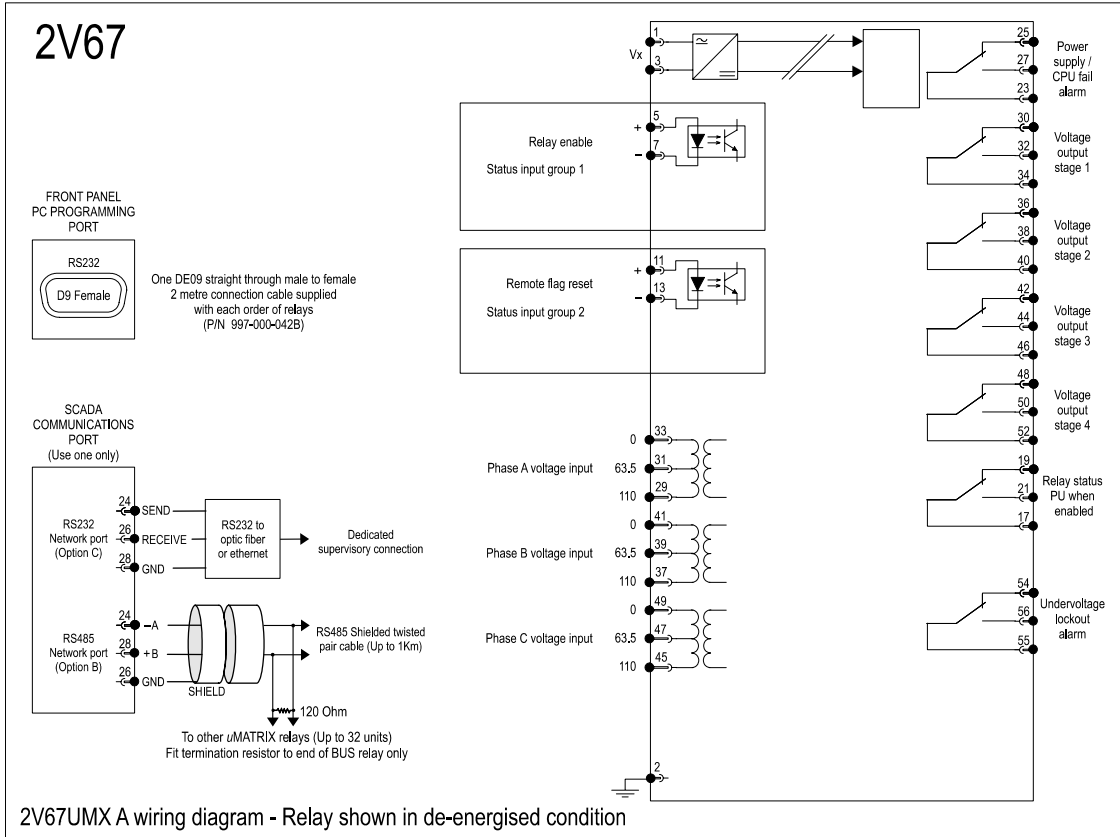
UMP file name

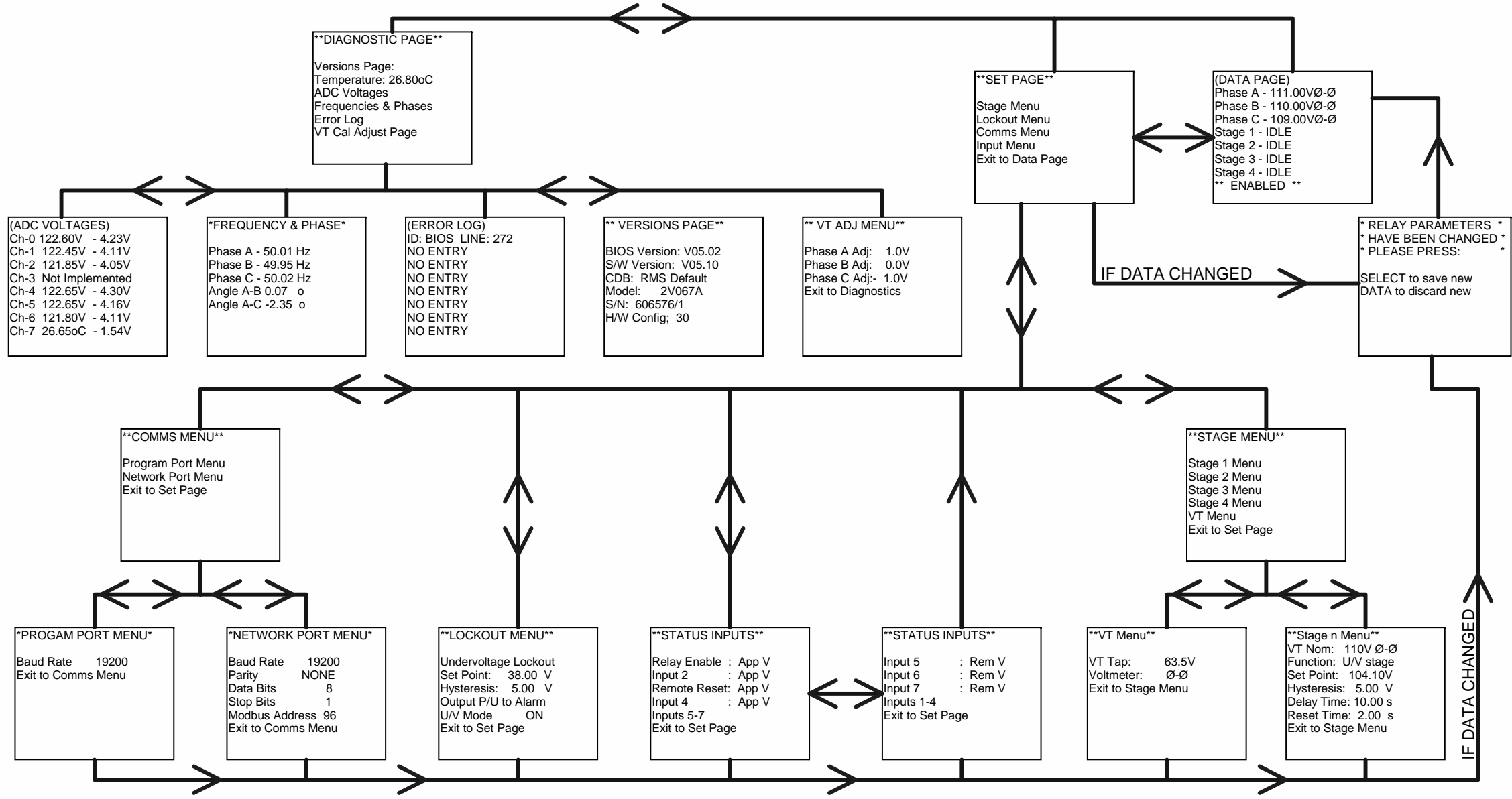
The Relay is now ready for field use.

SOFTWARE INSTALLED BY

DATE :

6.0 CONNECTION DIAGRAM





MATERIAL: See * for Materials List		FINISH: N.A.		Cannot open file D:\THE_CHIP\RMS\LIBRARIES\PROTEL 98\SCHEMATIC\logo.wmf		This document is copyright to Relay Monitoring Systems PTY LTD and may not be copied or used without prior written consent.		Uncontrolled UDocument		USE ONLY FOR JOB No. J/N:	
Unless otherwise stated: SMD Resistors are 1/8W 1% 0805 Metal Film SMD Capacitors <100P are 50V 0805 NPO SMD Capacitors >100P and < 1n0 are 100V 0805 NPO SMD Capacitors >1n0 and < 1u0 are 50V 0805 X7R				www.rmspl.com.au		TYPE No. 2V067A		MENU STRUCTURE			
DRAWN		DATE		SHEET: A3		SCALE: D.N.S		SHEET: 1 OF: 1			
D.W.B		10/01/2008		L:\ENGP\Projects\2v067-s\Firmware\Specification\2V067_A_MENU_0523.schdoc		RMS-A3.SCHDOT Iss A		3rd Angle projection			

V05.23

2V067_A_MENU_0523

