



# *AR5 Test Manual*

## *Single Element Auxiliary Relay*

relay monitoring systems pty ltd

---

### **Advanced Protection Devices**





# AR5 Test Manual

## Links to Other Documents

---

Technical Bulletin: [http://www.rmspl.com.au/handbook/alpha\\_ar.pdf](http://www.rmspl.com.au/handbook/alpha_ar.pdf)

## Test Certification

---

This is to certify that the equipment detailed below has been manufactured, inspected & tested in accordance with a Quality System which complies with the requirements of AS/NZS ISO9001-2008.

Job Number	Serial Number

Only valid when the "Passed" box has been signed off by Production Personnel.

## Version Control

---

Issue	Date	Summary of changes
A	14/10/2013	Initial issue.

Due to RMS continuous product improvement policy this information is subject to change without notice.  
This document is uncontrolled and subject to copyright.

Author	Checked	.PDF file created	Registered & Released
MVL	SG	SG	



## 1.0 ORDER CODE DEFINITION

The order code definition is described below and highlighted for the products manufactured with the Job Number shown on page 1.

AR5 - <input type="text"/>			
Nominal Operate Voltage	<b>B</b>	32 V DC	
	<b>C</b>	48 V DC	
	<b>D</b>	110 V DC	
	<b>E</b>	125 V DC	
	<b>F</b>	220 V DC	
	<b>G</b>	240 V DC	
	<b>H</b>	250 V DC	
	<b>L</b>	110 V AC	
Contact Configuration	<b>P</b>	240 V AC	
	<b>N</b>	5 Make + 0 Break	
	<b>P</b>	4 Make + 1 Break	
	<b>Q</b>	3 Make + 2 Break	
	<b>R</b>	2 Make + 3 Break	
Contact Function	<b>S</b>	1 Make + 4 Break	
	<b>1</b>	Self-reset contacts	
	<b>2</b>	Latching contacts	Hand reset
	<b>3</b>	Latching contacts	Electrical reset
Flag Function	<b>4</b>	Latching contacts	Hand and electrical reset
	<b>1</b>	Armature flag	Flag resets with contacts
	<b>2</b>	Hand reset flag	Flag resets with front panel reset
	<b>3</b>	Both flags fitted	Refer order codes 1 and 2
	<b>4</b>	No flags fitted	
	<b>5</b>	Reverse acting armature flag	Flag visible with armature reset
Options	<b>6</b>	Reverse acting hand reset flag	Flag visible with contacts reset
	<b>-</b>	No options required	
	<b>C</b>	Operation counter	
	<b>G</b>	Gold plated contacts	
	<b>L</b>	Coil operation LED	
	<b>S</b>	Electrical reset inhibit switch	
	<b>T</b>	Custom Text:	

## 2.0 VERIFICATION

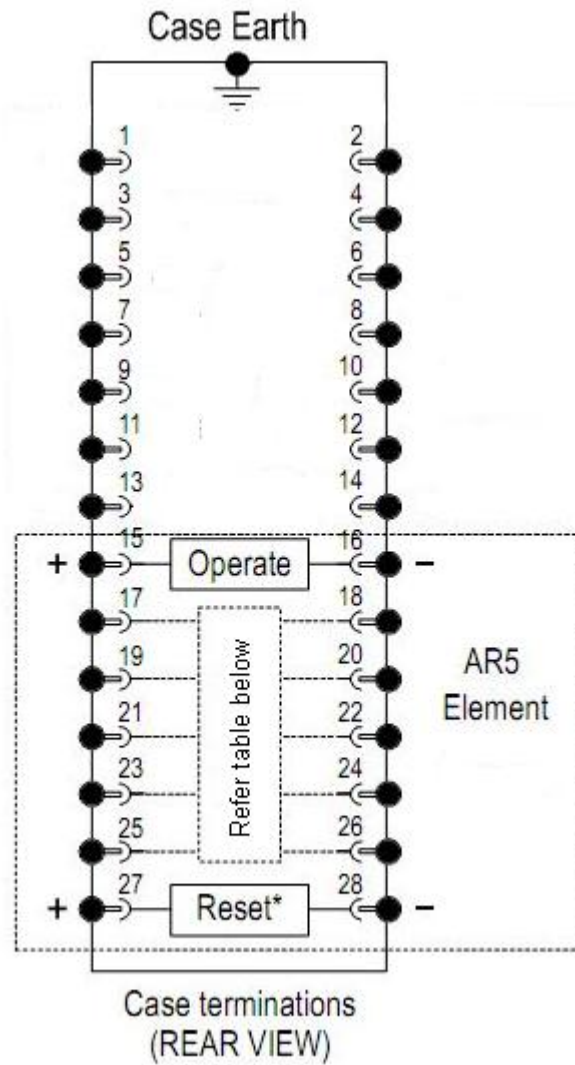
This is to certify that the equipment has been manufactured, inspected and tested in accordance with a Quality System, which complies with the requirements of ISO9001: 2008.

Testing has been carried out against the declared performance specification 195-100-800 and in accordance with the relevant International (IEC) Standards.

PASSED BY	DATE



**3.0 CONNECTION DIAGRAM**



		AR5 Case Terminal Number Pairs				
		17-18	19-20	21-22	23-24	25-26
N	5M+0B	M	M	M	M	M
P	4M+1B	M	M	M	M	B
Q	3M+2B	B	M	M	M	B
R	2M+3B	B	M	M	B	B
S	1M+4B	B	B	M	B	B