



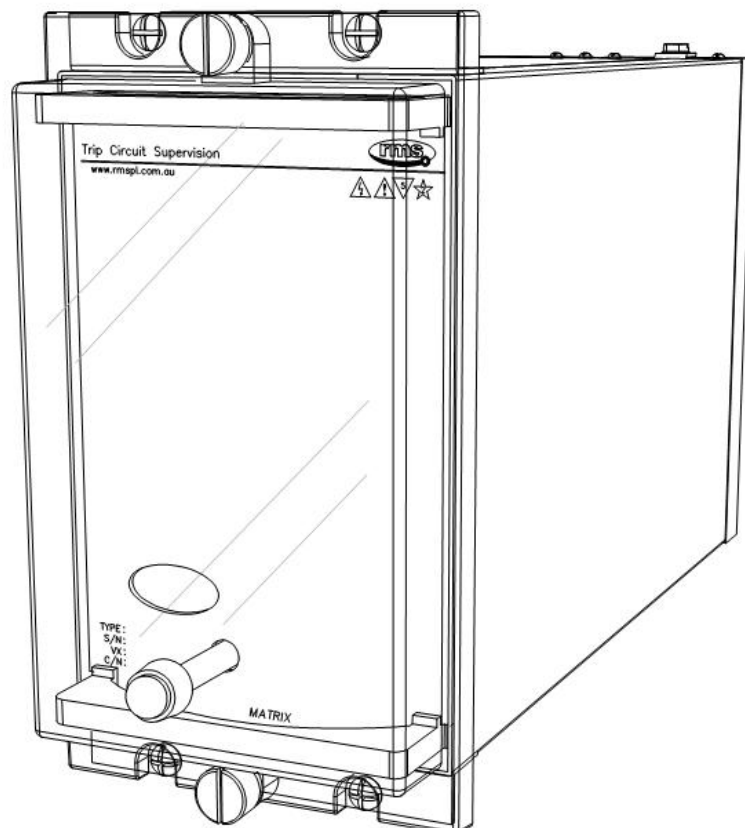
# *6RX31 Test Manual*

## *Trip Circuit Supervision Relay*

relay monitoring systems pty ltd

---

### **Advanced Protection Devices**





# 6RX31 Test Manual

## Links to Other Documents

---

Technical Bulletin: <http://www.rmspl.com.au/handbook/6rx31.pdf>

## Test Certification

---

This is to certify that the equipment detailed below has been manufactured, inspected & tested in accordance with a Quality System which complies with the requirements of AS/NZS ISO9001-2008.

Job Number	Serial Number

Only valid when the "Passed" box has been signed off by Production Personnel.

## Version Control

---

Issue	Date	Summary of changes
A	15/10/2013	Initial issue

Due to RMS continuous product improvement policy this information is subject to change without notice.  
This document is uncontrolled and subject to copyright.

Author	Checked	.PDF file created	Registered & Released
MVL	SG	SG	



### 1.0 ORDER CODE DEFINITION

The order code definition is described below and highlighted for the products manufactured with the Job Number shown on page 1.

**6RX31 -**

Nominal Operate Voltage	<b>A</b>	24 V DC
	<b>B</b>	32 V DC
	<b>C</b>	48 V DC
	<b>D</b>	110 V DC
	<b>E</b>	125 V DC
	<b>G</b>	220 V DC
	<b>H</b>	240 V DC
	<b>F</b>	250 V DC

### 2.0 VERIFICATION

This is to certify that the equipment has been manufactured, inspected and tested in accordance with a Quality System, which complies with the requirements of ISO9001: 2008.

Testing has been carried out against the declared performance specification 107-020-800 and in accordance with the relevant International (IEC) Standards.

PASSED BY	DATE

### 3.0 CONNECTION DIAGRAM

The connection diagram with job number is attached.