

Features

- Test sockets suit standard 4mm banana plugs
- Special test plug is not required
- Eight test points per panel
- High current / voltage rating
- Compact & economic design
- Range of case styles
- Customer specified test link text
- Made in Australia

Application

Test links are an important accessory for protection, metering & control panels. They enable test technicians to quickly & safely isolate protection relays so that test signals may be injected & system performance verified.

There are a number of advantages in performing injection tests at the protection relay panel:

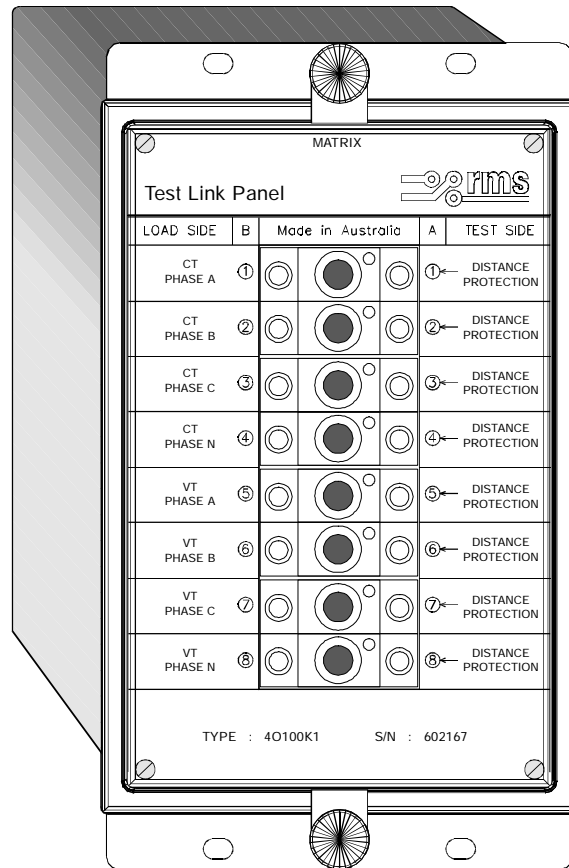
- Reduction in down time of the equipment under test
- Testing does not cause disturbance to wiring, terminals or equipment settings
- Existing auxiliary supply to the equipment under test is utilised
- Communications links to the equipment under test can remain operative.

The 40100 Test Link Panel has been designed as a general purpose isolation & test signal injection point without the need for a special test plug. Standard 4mm diameter sockets are employed so that common banana plugs may be used to short CT inputs & connect test equipment. The central isolation plugs may then be removed & test signals injected.

Equipment under test need only be removed for servicing if problems are detected.

An example of a possible test set up for a three phase overcurrent relay is shown in figure 1 on page two.

Other possible applications include a trip link panel to marshal signals from a range of protection functions.



40100 in a size 4 rack mount case showing an example of customer text available for test link designation.

Functionality

Made in Australia

The 40100 Test Link panel may be used for injecting current or voltage signals into a protection relay panel & isolating protection relay output signals.

WIRING

The **load side** of the test link is connected to external CT's, VT's or other transducers located remotely.

The **test side** is connected to the protection relay inputs or other monitoring device requiring routine testing.

CURRENT TRANSFORMER (CT) INPUTS

For CT inputs, adjacent test links should be used to facilitate shorting before removal of the isolation plug. This is to avoid open circuits which can cause dangerously high voltages at the test link panel & mal operation of other devices monitoring the circuit. The eight links provided are sufficient for a maximum of four isolated CT input circuits.

TEST SIGNAL INJECTION

Isolation plugs located on the front panel between the load & test side must be removed before the injection of test signals.

TEST LINK PANEL LABELLING

To aid testers in the identification of the function of each input, custom labelling may be specified at time of order. Alternatively the space provided can be used for labels or other designators to be attached at the time of commissioning. Custom labelling may be specified for the complete panel including:

Panel name
Load side / test side text
Individual link text

Technical Data

TERMINALS CURRENT RATING

Compression Type (Standard)

Conductor size: 6mm square maximum
 Continuous load current: 30A at 65 degrees Celsius
 Short rated current: 100A at 65 degrees Celsius for 3s

2BA Stud & screw type

Continuous load current: 30A at 65 degrees Celsius
 Short rated current: 200A at 65 degrees Celsius for 3s

TERMINALS VOLTAGE RATING

All types

300V Maximum

CASE FUNCTION

Non draw out

AMBIENT OPERATING TEMPERATURE RANGE

-5 to 55 degrees C.

INSULATION WITHSTAND

In accordance with AS2481-1981 (clause 5-4), IEC 255-5:
 2KV RMS between input & frame, output & frame, & output & input.
 1.2/50 5KV impulse between each terminal & earth, between circuits not normally connected together & between terminals of the same circuit.

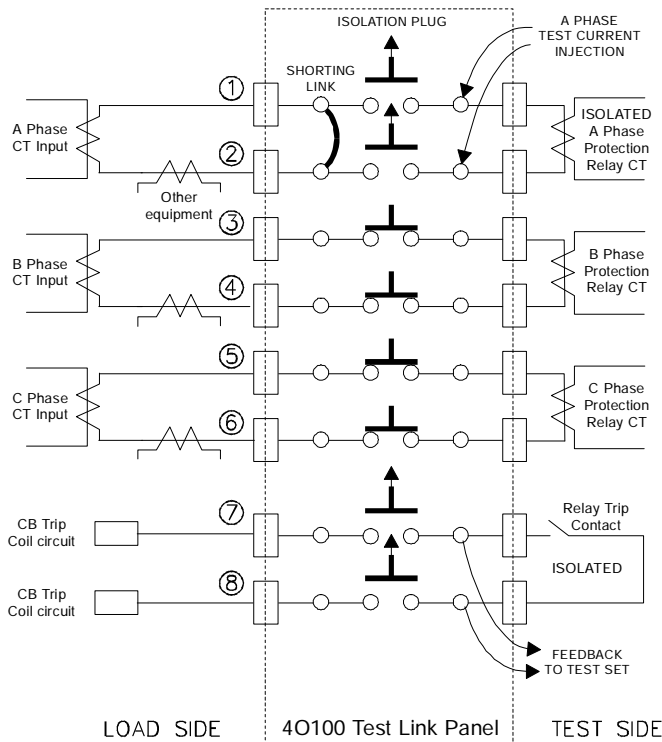


Figure 1: Example of a test current injection set up to a three phase overcurrent protection relay. Input to phase A CT after the input CT has been shorted & isolated & protection trip signals isolated.

4O100 Options

Check the appropriate box under each section to accurately specify the relay configuration required & return with request for quotation:

4O100 Type Number if known: **K**_____

LOAD SIDE LABELLING:

Link 1									
Link 2									
Link 3									
Link 4									
Link 5									
Link 6									
Link 7									
Link 8									

TEST SIDE LABELLING:

Link 1									
Link 2									
Link 3									
Link 4									
Link 5									
Link 6									
Link 7									
Link 8									

ENCLOSURE STYLE

(Refer Part B Section 6 for details)

- Size 4E Case for rack mounting (4u high, 1/4 width)
- Size FSD Case for flush mounting in vertical format

CONNECTION TERMINALS

- Compression terminals (Standard)
- 2BA studs
- 2BA screws

