

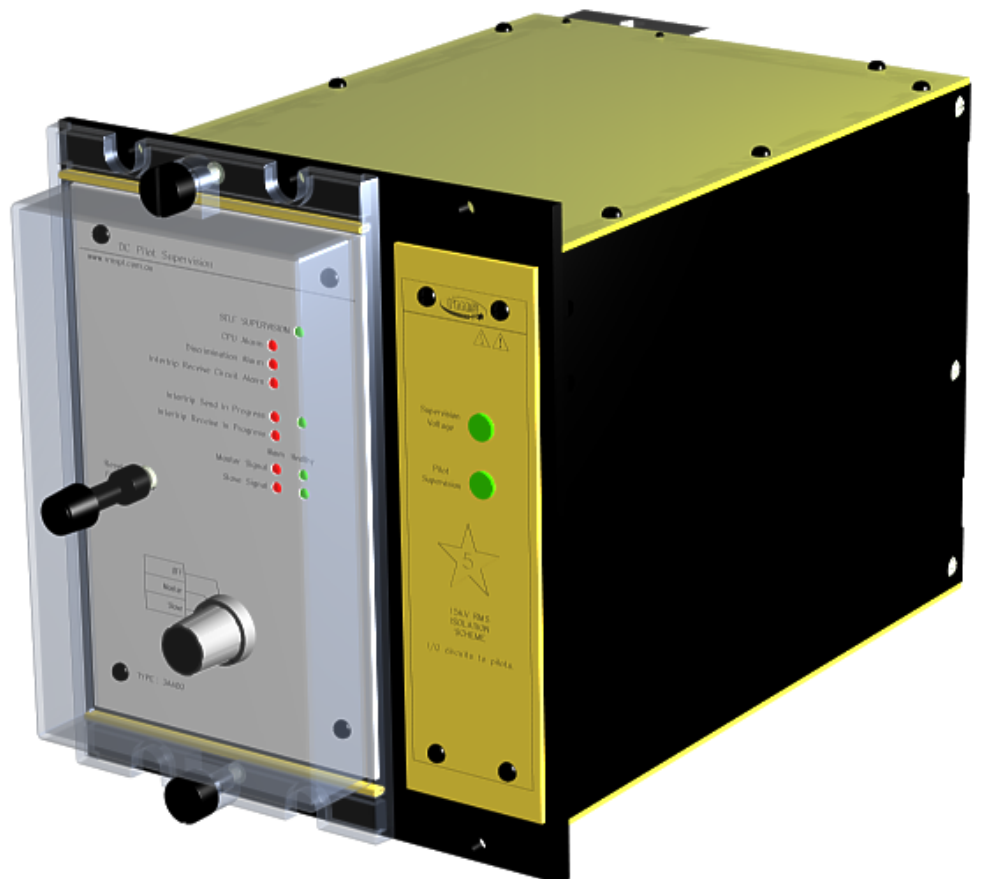


# 3A400K2 Test Manual

## DC Pilot Supervision

---

### **Advanced Protection Devices**



User Guide



Test Manual





# 3A400K2 Test Manual

## Links to Other Documents

- Technical Bulletin: <http://www.rmspl.com.au/handbook/3a400.pdf>
- User Guide: [http://www.rmspl.com.au/userguide/3a400\\_user\\_guide.pdf](http://www.rmspl.com.au/userguide/3a400_user_guide.pdf)
- Application: [http://www.rmspl.com.au/solutions/3a400\\_application.pdf](http://www.rmspl.com.au/solutions/3a400_application.pdf)
- Acad Case Drawings: <http://www.rmspl.com.au/3a400acad.htm>

## Test Certification

This is to certify that the equipment detailed below has been manufactured, inspected & tested in accordance with a Quality System which complies with the requirements of AS/NZS ISO9001-2008.

Order Number	Serial Number

Only valid when the "Passed" box has been signed off by Production Personnel.

## Version Control

Issue	Date	Summary of changes
A	19/11/2009	Initial issue.

Due to RMS continuous product improvement policy, this information is subject to change without notice.  
This document is uncontrolled and subject to copyright.

Author	Checked & Registered	.pdf file created	Released
DG	DW	DG	



**1.0 HARDWARE SPECIFICATIONS – 3A400K02 [B][A][B][E]**

- 1.1 Auxiliary Supply** [B] 70 - 150VDC
- 1.2 Pilot Wire Insulation** [A] 5kV RMS
- 1.3 Remote Reset Status Input** [B] 75 – 150V AC/DC
- 1.4 Pilot Fail Alarm Dwell Time** [E] 0.5s
- 1.5 Non-Standard Features**  
Hardware specifications not described in Technical Bulletin. None

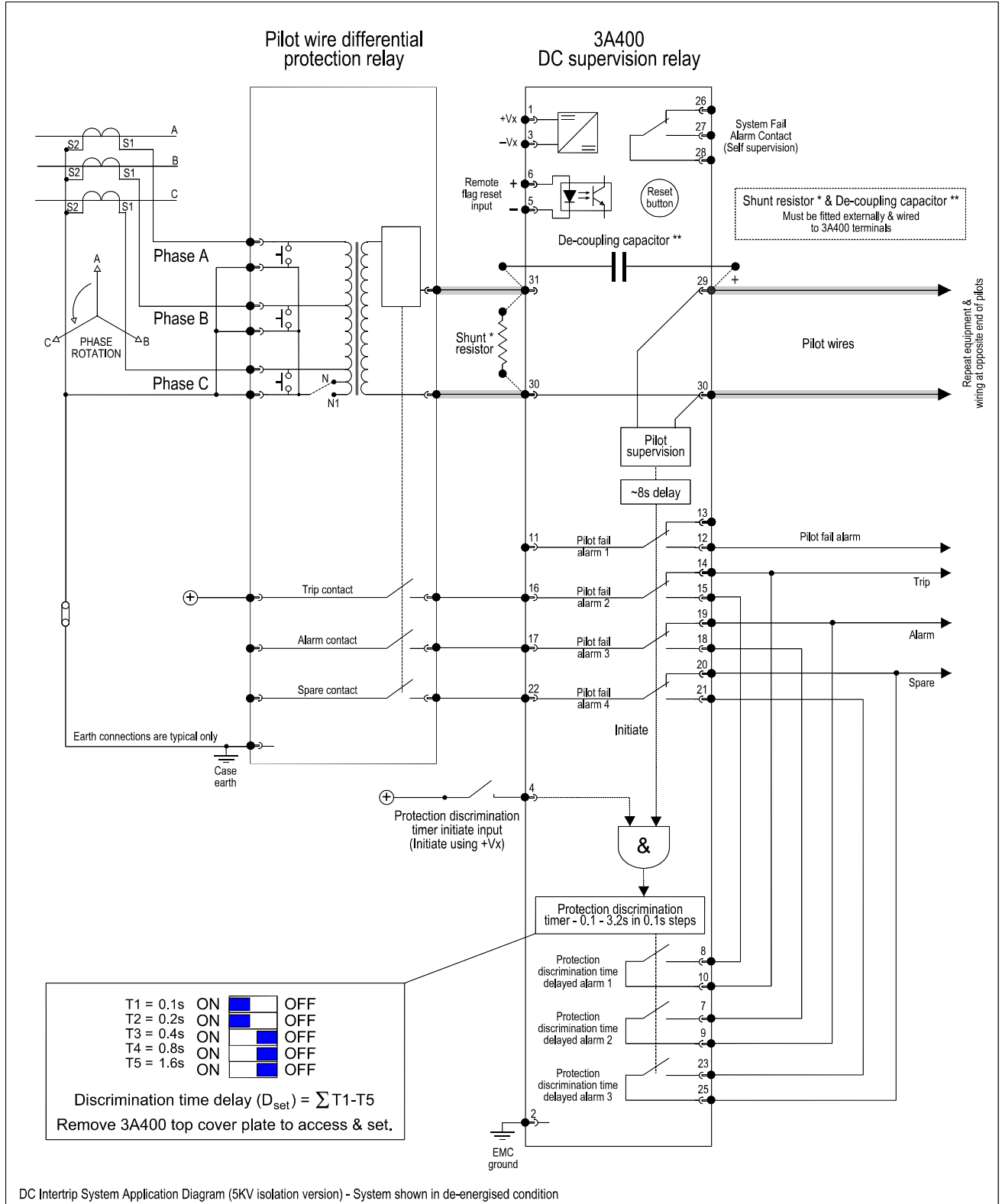
**2.0 VERIFICATION**

This is to certify that the equipment has been manufactured, inspected and tested in accordance with a Quality System, which complies with the requirements of ISO9001: 2008.

Testing has been carried out against the declared performance specification 172-400-800 and in accordance with the relevant International (IEC) Standards.

PASSED BY	DATE

**3.0 CONNECTION DIAGRAM**



DC Intertrip System Application Diagram (5KV isolation version) - System shown in de-energised condition