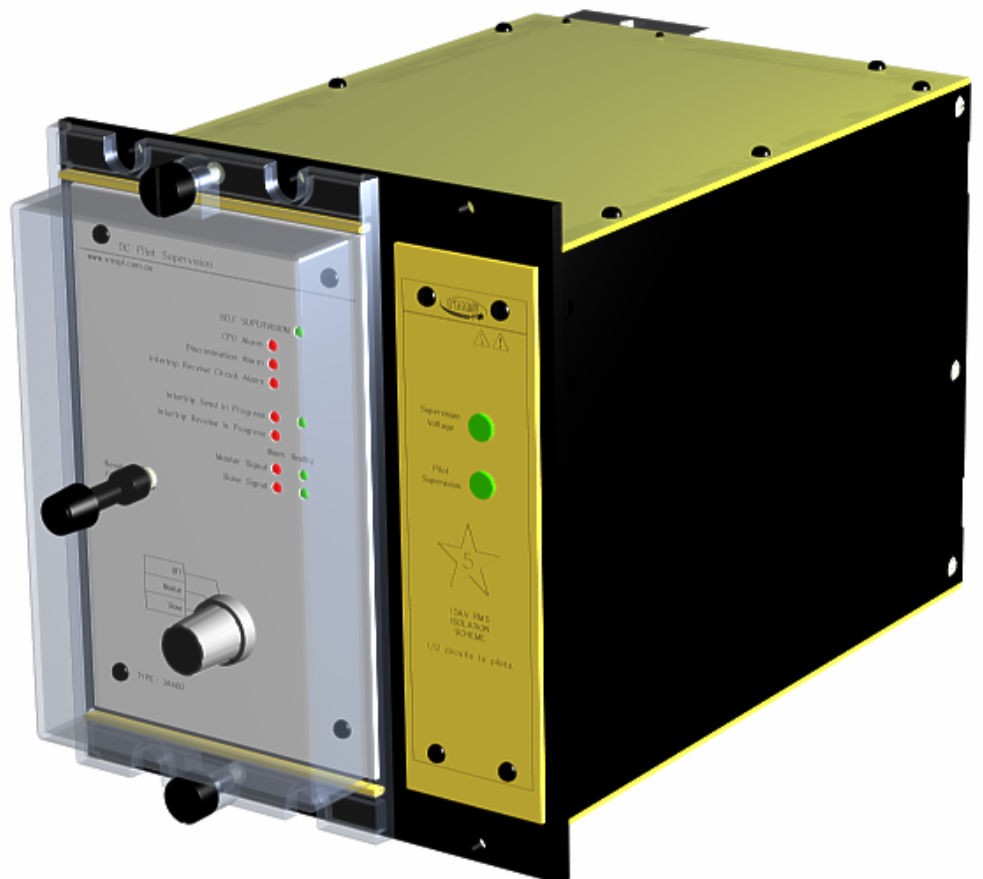




3A400K1 Test Manual

DC Pilot Supervision

Advanced Protection Devices



User Guide



Test Manual



3A400K1 Test Manual

Links to Other Documents

- Technical Bulletin: <http://www.rmspl.com.au/handbook/3A400.pdf>
- User Guide: http://www.rmspl.com.au/userguide/3A400_user_guide.pdf
- Application: http://www.rmspl.com.au/solutions/3A400_application.pdf
- Acad Case Drawings: <http://www.rmspl.com.au/3A400acad.htm>

Test Certification

This is to certify that the equipment detailed below has been manufactured, inspected & tested in accordance with a Quality System which complies with the requirements of AS/NZS ISO9001-2000.

Order Number	Serial Number

Only valid when the "Passed" box has been signed off by Production Personnel.

Version Control

Issue	Date	Summary of changes
A	26/11/2007	Initial issue.

Due to RMS continuous product improvement policy, this information is subject to change without notice.
This document is uncontrolled and subject to copyright.

Author	Checked & Registered	.pdf file created	Released
DG	ERL	ERL	



1.0 HARDWARE SPECIFICATIONS – 3A400K01 [B][A][A][E]

- 1.1 Auxiliary Supply** [B] 70 - 150VDC
- 1.2 Pilot Wire Insulation** [A] 5kV RMS
- 1.3 Remote Reset Status Input** [A] 24 – 80V AC/DC
- 1.4 Pilot Fail Alarm Dwell Time** [E] 0.5s
- 1.5 Non-Standard Features**
Hardware specifications not described in Technical Bulletin. None

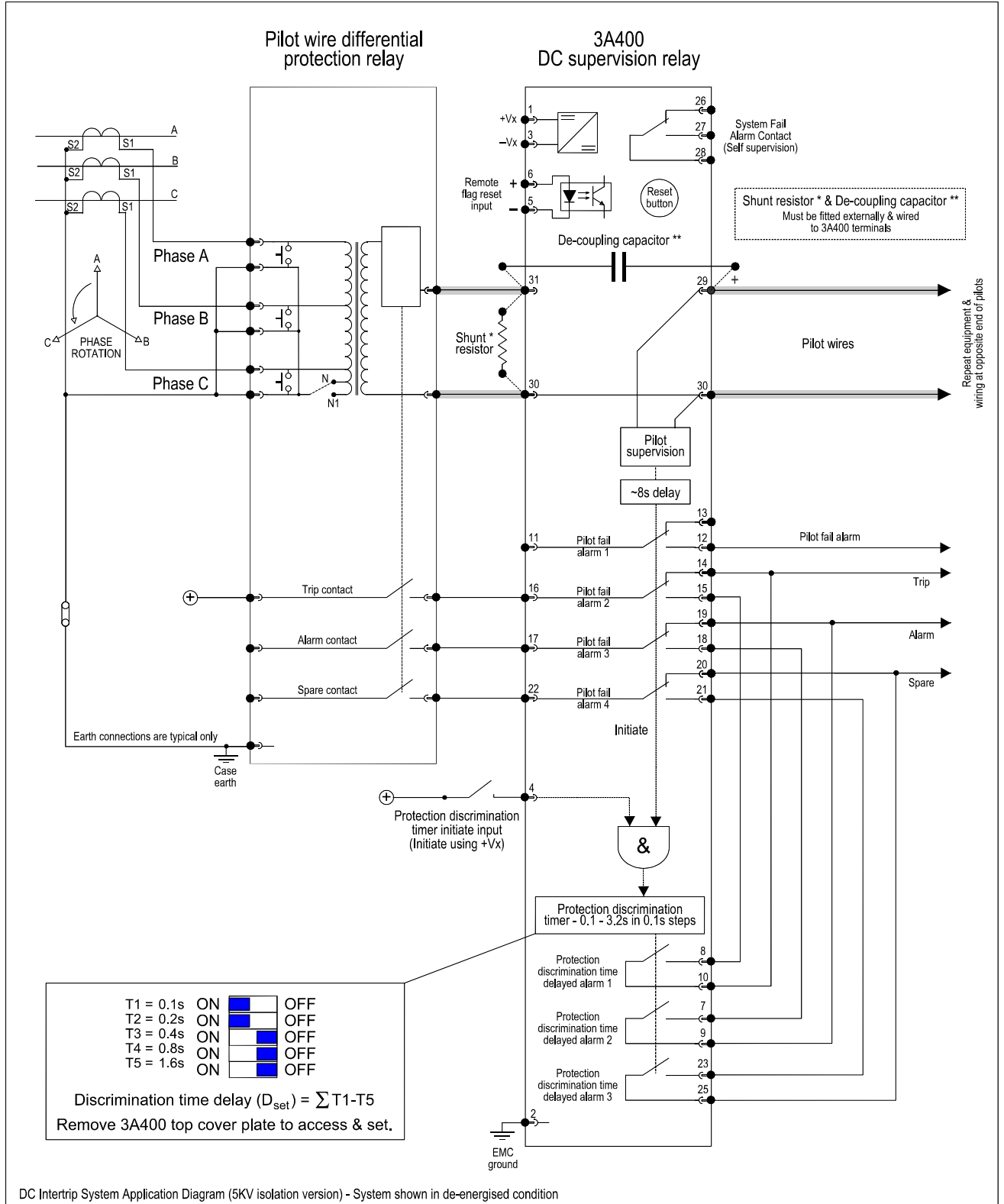
2.0 VERIFICATION

This is to certify that the equipment has been manufactured, inspected and tested in accordance with a Quality System, which complies with the requirements of ISO9001: 2000.

Testing has been carried out against the declared performance specification 172-400-800 and in accordance with the relevant International (IEC) Standards.

PASSED BY	DATE

3.0 CONNECTION DIAGRAM



DC Intertrip System Application Diagram (5KV isolation version) - System shown in de-energised condition