

3A300

# *Test Manual*

## *Pilot Wire DC Intertrip & Supervision*

---

### **Advanced Protection Devices**



User Guide



Test Manual

# Test Manual

## Links to Other Documents

---

<http://www.rmspl.com.au/spdl/3a300.htm>

## Test Certification

---

Made in Australia by Relay Monitoring Systems Pty Ltd.

This is to certify that the equipment detailed below has been manufactured, inspected & tested in accordance with a Quality System which complies with the requirements of AS/NZS ISO9001-2008.

Order Number	Serial Number

Only valid when the "Passed" box has been signed off by Production Personnel.

## Version Control

---

Issue	Date	Summary of changes
A	06/06/2006	Initial issue.

Due to RMS continuous product improvement policy, this information is subject to change without notice.  
This document is uncontrolled and subject to copyright.

Author	Checked & Registered	.pdf file created	Released
DG	ERL	ERL	

**1.0 HARDWARE SPECIFICATIONS – 3A300K82 [B][B][A][A]**

- 1.1 Auxiliary Supply** [B] 70 - 150VDC
- 1.2 Pilot Wire Insulation** [B] 15kV RMS
- 1.3 Remote Reset Status Input** [A] 24 – 80V AC/DC
- 1.4 Mounting** [A] 4U rack or Flush
- 1.5 Non-Standard Features**  
Hardware specifications not described in Technical Bulletin. None

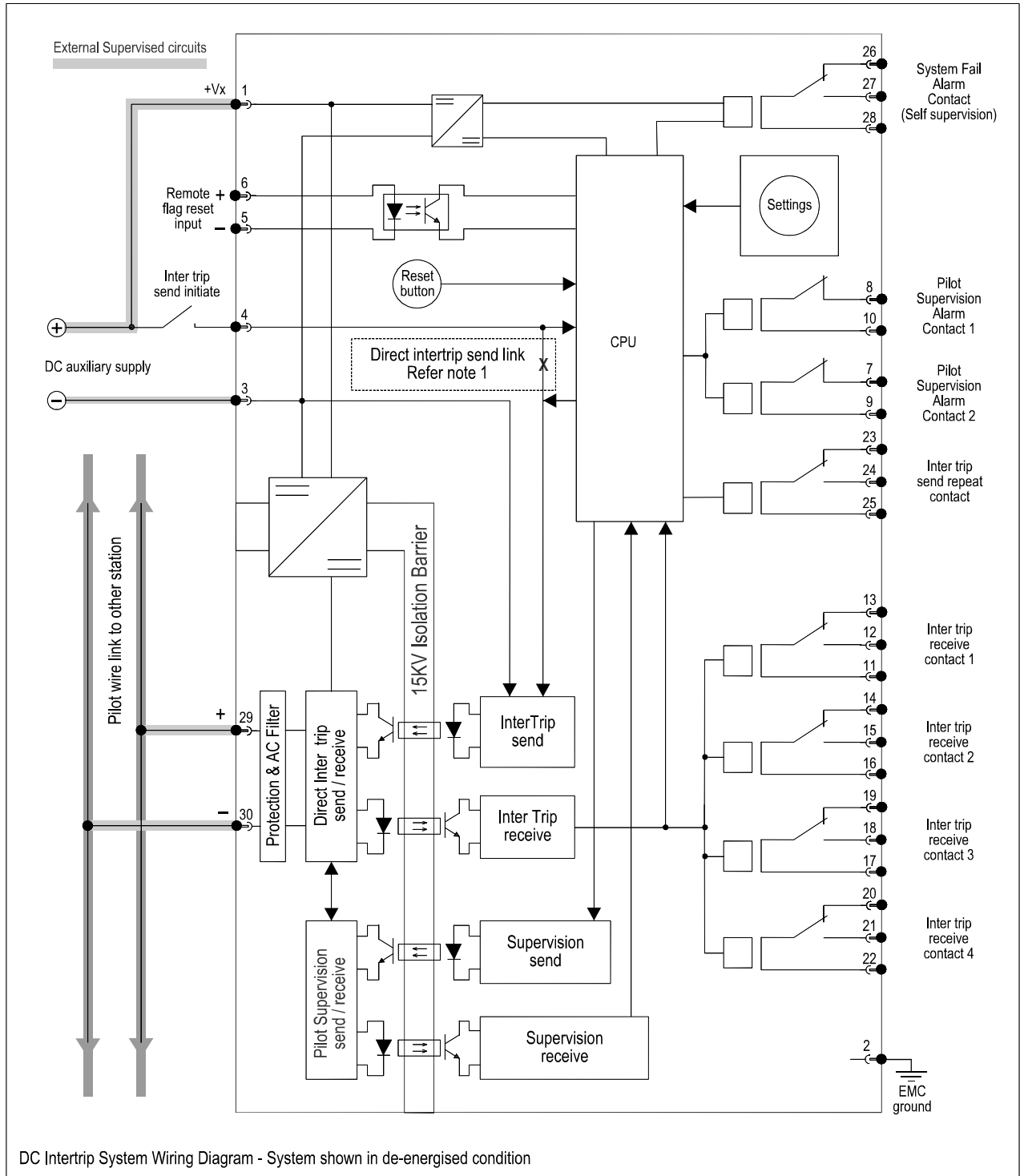
**2.0 VERIFICATION**

This is to certify that the equipment has been manufactured, inspected and tested in accordance with a Quality System, which complies with the requirements of ISO9001: 2008.

Testing has been carried out against the declared performance specification 172-300-800 and in accordance with the relevant International (IEC) Standards.

PASSED BY	DATE

3.0 CONNECTION DIAGRAM



DC Intertrip System Wiring Diagram - System shown in de-energised condition