

2V164-S Test Manual

Voltage Regulating & Tap Change Control Relay

relay monitoring systems pty ltd

Advanced Protection Devices





2V164-S Test Manual

Links to Other Documents

Technical Bulletin: <http://http://www.rmspl.com.au/2v164-s.htm>

Test Certification

This is to certify that the equipment detailed below has been manufactured, inspected & tested in accordance with a Quality System which complies with the requirements of AS/NZS ISO9001-2008.

Job Number	Serial Number

Only valid when the "Passed" box has been signed off by Production Personnel.

Version Control

Issue	Date	Summary of changes
A	11/02/2014	Initial issue.


Due to RMS continuous product improvement policy this information is subject to change without notice.
This document is uncontrolled and subject to copyright.

Author	Checked	PDF file created	Registered & Released
MVL	SG	SG	



1.0 ORDER CODE DEFINITION

The order code definition is described below and highlighted for the products manufactured with the Job Number shown on page 1.

2V164-S - <input type="text"/>		Voltage Regulating & Tap Change Control Relay
Auxiliary Supply Range	A B	20-70V DC 40-275V AC (300 V DC)
Digital Input Operating Voltage – Group 1	A B C D	24-80V AC/DC 80-150V AC/DC 150-275V AC (300V DC) 18-275V AC (300V DC)
Digital Input Operating Voltage – Group 2	A B C D	24-80V AC/DC 80-150V AC/DC 150-275V AC (300V DC) 18-275V AC (300V DC)
Analogue Outputs	A B	Not required Required: 4 – 20mA
Rear Communication Port	A B	Not Required Required-Modbus Protocol
Request Default Application Software 	A B C	UMX2V164A Voltage monitoring feedback- Auto UMX2V164B OLTC auxiliary contact method UMX2V164C TPI feedback method

2.0 VERIFICATION

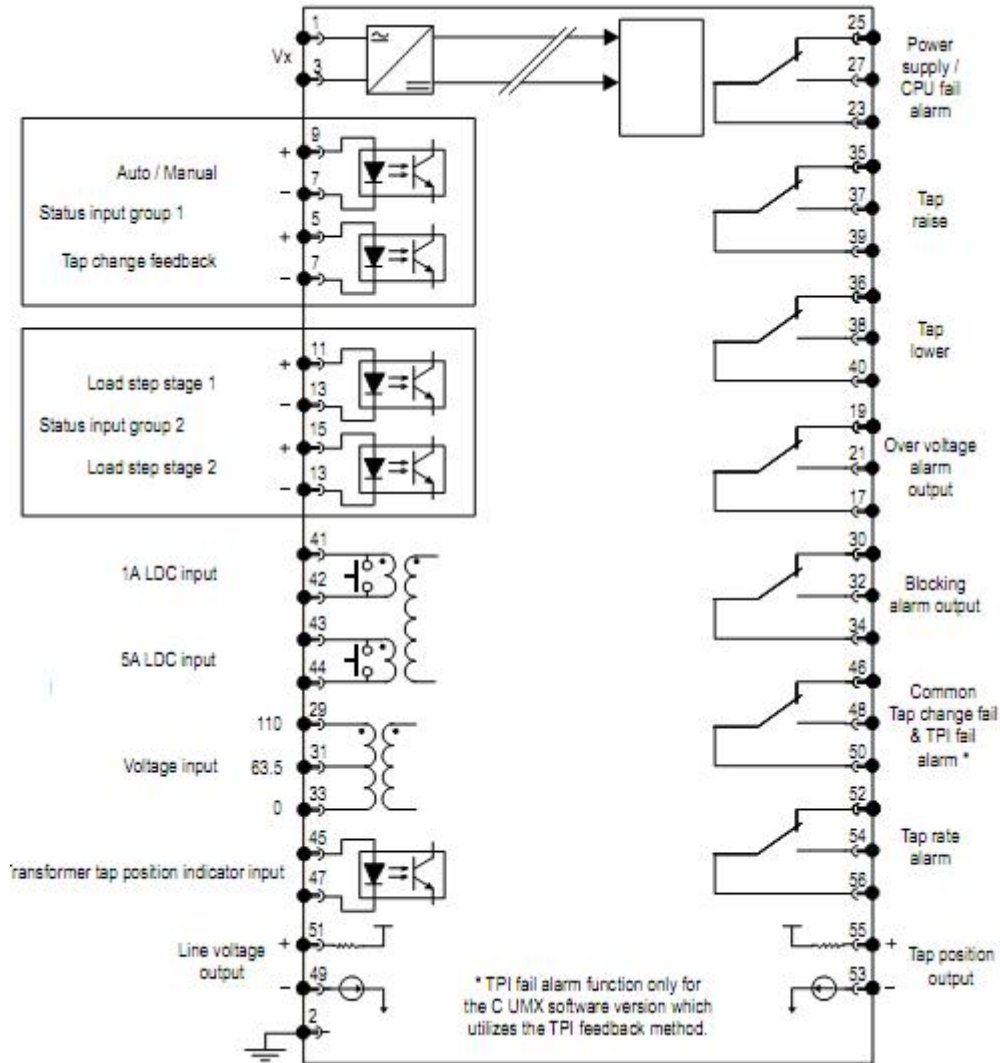
This is to certify that the equipment has been manufactured, inspected and tested in accordance with a Quality System, which complies with the requirements of ISO9001: 2008.

Testing has been carried out against the declared performance specification 165-164S-800 and in accordance with the relevant International (IEC) Standards.

PASSED BY	DATE



3.0 CONNECTION DIAGRAM



2V164-S wiring diagram - Relay shown in de-energised condition