

TEST DATE	CUSTOMER	SERIAL No

OLTC ACKNOWLEDGE SETUP

AUTOMATIC or

FEEDBACK
CONTROL

PRODUCT / TEST MANUAL

2V162K20

VOLTAGE REGULATOR RELAY

Issue Level	Date	Summary of changes
A	28/02/02	Initial issue.

Due to RMS continuous product improvement policy this information is subject to change without notice.
 This document is uncontrolled and subject to copyright.

Author	Checked & Registered	.pdf file created	Released
ERL	DG	DG	

INDEX

- 1. BROAD DESCRIPTION**
 - 1.1 Basic Functional Operation
 - 1.2 Line Drop Compensator

- 2. SPECIFICATION**
 - 2.1 Power Supply
 - 2.2 Voltage Sensing Circuitry
 - 2.3 Line Drop Compensation (LDC)
 - 2.4 Timers & Logic
 - 2.5 Alarms
 - 2.6 Alarms and Control Output Relays
 - 2.7 Insulation Withstand

- 3. TEST EQUIPMENT REQUIRED**

- 4. ASSOCIATED DRAWINGS**

- 5. HIGH VOLTAGE TESTING**

- 6. CALIBRATION & TEST PROCEDURE**
 - 6.1 Power Supply
 - 6.2 Line Drop Compensation
 - 6.3 Input Voltage Transformer Calibration
 - 6.4 Average Detector Calibration
 - 6.5 Reference Voltage Calibration
 - 6.6 Undervoltage Calibration
 - 6.7 Overvoltage Alarm Calibration
 - 6.8 Error Detector Calibration
 - 6.9 Initial Raise / Lower Timer Calibration
 - 6.10 Calibration of Tap Change Interval Timer
 - 6.11 Calibration of Auto Raise / Lower Control Pulse
 - 6.12 Tapchanger Failure Alarm Timer

- 7. GENERAL & FUNCTIONAL**
 - 7.1 Operation of Logic Circuitry
 - 7.2 LDC Operational Check
 - 7.3 General

- 8. CONNECTION DIAGRAM**

1. BROAD DESCRIPTION

1.1 Basic Functional Operation

The 2VI62 continuously monitors the transformer output voltage and current. Voltages proportional to the current and having definite phase relationships with it (according to the external wiring configuration and line characteristics) are subtracted from the monitored voltage to give a replica of the Load Centre voltage.

The corrected sensed voltage is rectified and smoothed to give a proportional DC voltage, which is subtracted from a DC reference proportional to the thumbwheel switch "Set Voltage" setting. If the magnitude of the error voltage exceeds a value determined by the "Sensitivity Setting", a "Raise" or "Lower" LED lights, according to the polarity of the error voltage.

The "Initial Raise/Lower" timer is also initiated, and if the error persists for the duration of this timer setting, an operation of the appropriate output relay will occur. If the resultant tap change fails to bring the corrected sensed voltage to the desired value, a "Tap Change Interval" timer is initiated, and after this time has elapsed, a further tap change will take place.

This last cycle will be repeated until the corrected sensed voltage is within the desired bandwidth, when both timers will be reset.

The "Raise" and "Lower" output relays remain energised only in the time interval between initiation of the tap change and subsequent opening of the normally closed Tap Changer auxiliary contacts.

1.2 Line Drop Compensation

Line Drop Compensation is used to enable the voltage at the source end of the transmission line to be adjusted to compensate for the Line voltage drop, and therefore achieve the required voltage at the load end of the Line, independent of the load current.

To achieve this, the Line voltage at the source is sensed and a voltage proportional to the Line drop is subtracted from it. The resultant voltage is sensed by the electronic circuitry and a Tap changer is operated until the resultant derived Load voltage equals the voltage indicated on the Set Voltage thumbwheel switches.

2. SPECIFICATION

2.1 Power Supply

Auxiliary Supply Range	20V to 70V AC
Auxiliary Supply Burden (Continuous)	Less than 10VA
Peak Inrush Current	3A at 40V AC
RMS Inrush Current (Fully loaded)	40VA
Ambient Temperature Range	-5 to 55 deg C
Input Transients	Withstands multiple high-energy transients and ring waves in accordance with IEE28 -ANSI C26.1 category 11, accordingly:
Ring wave	0.5uS 100KHz 6KV, 500A S/C, 4J
Surge voltage	1.2/50uS 6KV O/C
Surge current	8/20uS 3KA S/C, 80J clamped at 1000VEMI Noise
	Mains conducted EMI within limits specified by AS 3584 Class B

2.1 Power Supply (Cont)

Electrical Isolation	The outputs are isolated from the input in accordance with AS 3260 class 11 Limited Current Circuit, accordingly: Withstand voltage of 2.5KV RMS 50Hz for one minute. Creepage and clearance distance greater than 4mm. Output leakage current less than 0.25mA to earth.
Power Supply Fail Alarm Relay	Normally closed contact rated at 250V AC and isolated as per AS 3260 are energised when both the input auxiliary supply and internal +24V DC rail is within acceptable limits. The relay will drop out causing an alarm output if either supply fails.

2.2 Voltage Sensing Circuitry

Nominal Sensing Voltage	110 or 63.5 (tapped)
Sensing Supply Burden	Less than 1VA Nominal
Sensing Frequency	50Hz \pm 2Hz
Regulated Voltage Setting Range	100 - 129.5 Volts (0.5V steps)
Precision of Voltage Setting	\pm 0.5 Volt

2.3 Line Drop Compensation (LDC)

Nominal Sensing Current	1 Amp or 5 Amp (tapped CT)
CT Burden	Less than 0.25VA
Maximum Sensing Current	5 x nominal continuous, 20 x nominal for 3 seconds
Resistance Compensation setting Range	0 - 20 Volts
Accuracy	\pm 0.5V
Reactance Compensation setting Range	0 - 20 Volts
Accuracy	\pm 0.5V
LDC Connection Mode	Pos/Neg X, In-phase/Quad via front panel switch.
Raise / Lower Comparator Sensitivity	0.5 to 3.0 Volts (continuously adjustable)
Hysteresis	50% of error voltage (Other values may be specified)

2.4 Timers & Logic

Initial Raise/Lower Timer	20 - 260 sec \pm 5% of full-scale
Norm/Inverse Mode switch on front panel.	T = Tset x Vsense setting/Verror
Inverse timing curve	True inverse
Tap Change Interval Timer	5 - 65 sec \pm 5% of full scale
"Raise" Output	1 N/O relay contact
"Lower" Output	1 N/O relay contact

2.5 Alarms

Under voltage Lockout	70 to 100 Volts (continuously adjustable).
Hysteresis	Approximately 95 % Relay contacts: 1 C/O provided
Over voltage Alarm	100 to 130 Volts (continuously adjustable).
Hysteresis	Approximately 95 % Relay contacts: 1 C/O provided

2.5 Alarms (Cont)

Tapchanger Fail Alarm Timer 5 min ± 10%
 Auxiliary/Internal Supply Fail 1N/C relay contact

2.6 Alarm & Control Output Relays

Type: Idec RHI B
 Contact Ratings 10A 24V DC resistive
 0.5A 256V DC L/R 40 ms

2.7 Insulation Withstand

5KV 1/50us Impulse (coil to contacts)
 1KV RMS across open contacts

3. TEST EQUIPMENT REQUIRED

110V 50Hz adjustable supply	5A Phase-adjustable current source
50V DC current- limited power supply	Frequency/period counter
Digital Voltmeter (4 1/2 digit preferable)	DC Auxiliary Supply
Electronic Counter	HV Test Equipment

4. ASSOCIATED DRAWINGS

165-162-204	Circuit Schematic Diagram
660-272-301	Main Circuit Loading Diagram
660-258-301	Front Panel Loading Diagram
678-028-202	Power Supply Circuit Diagram
678-028-302	Power Supply Loading Diagram

5. HIGH VOLTAGE TESTING

CLASS III Circuit Tests (5KV 1/50 and 2KV RMS)

- a) Apply 2KV RMS 50Hz between terminal groups 1 and 2 in table 1 below for 1 minute.
- b) Apply three 5KV 1/50us pulses of each polarity between terminal groups 1 and 2 in Table 1 below.

TABLE 1

TEST	GROUP 1	GROUP 2
A	8,9,22,23,24,25,26,27,28,29,30, (Inputs)	1,2,3,4,5,6,7,10,11,12,13,14,15,16,17,18,31,32, (Outputs)
B	All terminals excluding 5,6 & 7 connected together	Earth (Frame)

NOTE: LEAKAGE CURRENT WILL BE APPROX 1.5mA DURING 2kV TEST DUE TO NOISE SUPPRESSION CAPACITORS IN THE POWER SUPPLY

HIGH VOLTAGE TEST PASS

6. CALIBRATION & TEST PROCEDURE

6.1 Power Supply

- a) Connect 50V DC current limited supply to Auxiliary Supply input terminals 29 and 30.
- b) Check that the following supply rail voltages are within limits:
 Voltages are measured with respect to SK2-1

	RAIL	MIN	MAX	NOMINAL	ACTUAL
SK2-6	24	23	27	24	
SK2-2	18	17	19	18	
SK2-4	12	11.2	12.8	12	
SK2-3	-12	-11.2	-12.8	-12	

6.2 Line Drop Compensation

- a) Set LDC rotary switch (on the front panel) to "Pos X in Phase" position, and both LDC controls to the 20 V position.
- b) Connect a phase meter to monitor the difference between the input sensed current and the compensation voltage waveform appearing at SK2-15.
- c) Apply 1 Amp AC \pm 5% to the 1 Amp CT input.
- d) Adjust trimpot VR2 so that there is a 90 degree phase difference between input current and the SK2-15 waveform.

MIN	MAX	NOMINAL	ACTUAL
86.0	94.0	90.0	

- e) Adjust amplitude setting trimpot VR1 so that the SK2-15 voltage is 2.00V RMS when the input current is 1 Amp.

MIN	MAX	NOMINAL	ACTUAL
1.95	2.05	2.00	

- f) Connect phase meter to measure phasing of SK2-14 with respect to the input current; they should be in anti-phase.

MIN	MAX	NOMINAL	ACTUAL
176	184	180	

- g) Adjust trimpot VR3 to give a SK2-14 Voltage of 2.00V at 1 Amp input current.

MIN	MAX	NOMINAL	ACTUAL
1.95	2.05	2.00	

6.2 Line Drop Compensation (Cont)

- h) Check that the resistive and reactive compensation voltages (all of 2.00V RMS magnitude) have the following phase relationships with the input current:

Switch Position	Resistive Comp	Reactive Comp	
1 Pos. react - in phase	SK2-14 Anti-phase	SK2-15 90 lag	
2 Neg. react - in phase	Anti-phase	90 lead	
3 Pos. react - in quad	90 lead	Anti-phase	
4 Neg. react - in quad	90 lead	In phase	
5 LDC DISABLED			

- i) Record Resistive Compensation voltage (SK2-14) position 1 at the following settings:

SETTING	MIN	MAX	NOMINAL	ACTUAL
5 V	0.45	0.55	0.5	
15 V	1.45	1.55	1.5	

- j) Record Reactive Compensation voltage (SK2-15) position 1 at the following settings:

SETTING	MIN	MAX	NOMINAL	ACTUAL
5 V	0.45	0.55	0.5	
15 V	1.45	1.55	1.5	

- k) Apply 5.0 Amp input current to the 5 Amp CT input and check that the SK2-14 voltage at 20 V setting "Resistive" is within limits:

MIN	MAX	NOMINAL	ACTUAL
1.85	2.05	2.00	

- l) Apply 5.0 Amp input current to the 5 Amp CT input and check that the SK2-15 voltage at 20 V setting "Reactive" is within limits:

MIN	MAX	NOMINAL	ACTUAL
1.85	2.05	2.00	

- m) Disconnect current source from CT

6.3 Input Voltage Transformer Calibration

- a) Apply 110 V AC 50Hz to 110 V RMS sensing input (Term 24 Active and Term 22 Neutral) and select R31/R32 to give 110V at SK2-12 with respect to V (SK2-1)).
- b) Apply 63.5V AC 50Hz to 63.5V sensing input (Term. 23 Active and Term. 22 Neutral) and check that SK2-12 voltage is within limits:

MIN	MAX	NOMINAL	ACTUAL
10.97	11.03	11.00	

6.4 Average Detector Calibration

Disable LDC and re-connect 110V to 110V sensing input and adjust trimpot VR5 until voltage at SK2-9 is 11.00V DC.

MIN	MAX	NOMINAL	ACTUAL
10.99	11.01	11.00	<input type="text"/>

6.5 Voltage Indication Circuitry & Reference Voltage Calibration

Note:

For this step the 10V reference voltage may not end up exactly at 10.00V, since tolerances on R50/R51/R52/R53 will cause the 10V Reference (SK2-8) to differ from the set voltage at "100.0" Voltage Setting. Optimum setup is for the SK2-5 voltage to be 10.00V at 100.00V "Set Voltage" setting.

- a) Set thumbwheel switches to "100.0"V.
- b) Adjust trimpot VR4 to give 10.00V DC at SK2-5.

MIN	MAX	NOMINAL	ACTUAL
9.99	10.01	10.00	<input type="text"/>

- c) Set voltage to 110V.
- d) Adjust trim pot VR8 to give 11.00V DC at SK2-5.

MIN	MAX	NOMINAL	ACTUAL
10.99	11.01	11.00	<input type="text"/>

- e) Set voltage to 119V.
- f) Adjust trim pot VR9 to give 11.90V at DC SK2-5.

MIN	MAX	NOMINAL	ACTUAL
11.89	11.91	11.90	<input type="text"/>

6.6 Undervoltage Lockout Calibration

Note:

Before performing this calibration, adjust AC sense voltage until a raise or lower signal is detected by the error detector. Switch the inverse/definite time switch to inverse (this reduces the waiting time), and wait for the VRR to output a raise or lower signal as indicated by the output contacts of either the raise or lower relays. Ensure that when the under voltage condition is detected that the raise or lower indication is reset. The only indicator LED's that should be illuminated in this condition is the Auxiliary supply and the Under voltage indicator.

- a) Set undervoltage control to (VR1-3) to 100 V and AC sensing voltage input to 100.0 volts.
- b) Adjust trimpot VR7 until the U/V LED comes on at 100.0 volts
- c) Set U/V control to 70 V and AC sensing voltage input to 70 volts.
- d) Adjust VR10 until the U/V LED comes on at 70 volts
- e) Repeat steps a) to d) until dial is calibrated.

6.6 Undervoltage Lockout Calibration (Cont)

- f) Set U/V control to 100 V and record the dropout voltage.

	MIN	MAX	NOMINAL	ACTUAL
Drop out	99.5	100.5	100.0	<input type="text"/>

- g) Set U/V control to 70 V and record the dropout voltage.

	MIN	MAX	NOMINAL	ACTUAL
Drop out	69.5	70.5	70.0	<input type="text"/>

6.7 Overvoltage Alarm

Note:

Before performing the over voltage calibration, increase the sensing voltage until an overvoltage condition is indicated by the “overvoltage LED” becoming illuminated. Ensure that this condition **does not** cause the VRR to go into overvoltage lockout, ie all front panel lamps extinguish with only the “Auxiliary supply” and “Overvoltage” LED on. This test is to ensure that diode D12 has not been fitted.

- Set overvoltage control to 130 V and sensing voltage to 130.0 volts.
- Adjust VR6 until overvoltage LED comes on.
- Set overvoltage control to 100 V and sensed voltage to 100 volts.
- Adjust VR11 until overvoltage LED comes on.
- Repeat steps a) to d) until scale is calibrated.
- Set O/V alarm control to 130 V and record the pick up voltage.

	MIN	MAX	NOMINAL	ACTUAL
Pick up	129.5	130.5	130.0	<input type="text"/>

- g) Set O/V control to 110 V setting and record the pick up voltage.

	MIN	MAX	NOMINAL	ACTUAL
Pick up	99.5	100.5	100.0	<input type="text"/>

6.8 Error Detector Calibration

- Set AC Sensing input voltage to 110 V AC.
- Set bandwidth potentiometer to max (3.0 V) setting.
- Monitor TP3 and adjust VR13 for 3.00 V DC.

Actual

- Rotate the bandwidth control anticlockwise to the min (0.5 V) setting, adjust VR12 for 0.50 volts.

Actual

6.9 Initial Raise / Lower Timer Calibration

- Set AC Sensing input voltage to 110 V AC.
- Increment the set voltage thumbwheel to give a continuous raise signal and switch the time delay characteristic to definite.
- Adjust VR15 to achieve a span of 13:1 irrespective of absolute value.

6.9 Initial Raise / Lower Timer Calibration (Cont)

- d) Pad C43/C44/C45 to give a waveform period of 507.8ms at the maximum time setting at SK2-11.
- e) Check min setting (20 sec) and readjust VR15 for 39mS if necessary.
Note: Check the operate times of the Initial Raise/Lower Timer by measuring the interval between application of AC Sensing Supply and subsequent output relay operation. Note that Auxiliary supply should remain "on" and the sensing voltage should be set about 10V lower than the Reference voltage, to give a "Raise" signal. Record results (seconds).

SETTING	MIN	MAX	NOMINAL	ACTUAL
20	10	30	20	

6.10 Calibration of Tap Change Interval Timer

- a) Adjust AC Sensing voltage until the Bandwidth Error gives continuous "Raise" signal.
- b) Connect a frequency counter to SK6-4.
- c) Adjust VR17 for a span of 13:1 irrespective of absolute values.
- d) Pad C36/C37/C38 until the waveform period is 15.87ms at scale maximum setting (65s) and 1.21ms at minimum setting (5s).
Note: Connect PU/DO time measuring apparatus to measure the time interval between operation of the T/C auxiliary contact and subsequent closure of the "Raise" output relay contacts. Record results (seconds).

SETTING	MIN	MAX	NOMINAL	ACTUAL
5	3	7	5	
20	18	22	20	
65	62	68	65	

6.11 Calibration of Auto Raise / Lower Control Pulse

Note This test is only performed if the Automatic mode is selected.

- a) Set jumpers J1 and J2 for auto tap change operation by linking J1 and linking J2-2 to J2-3. Set up the voltage and set voltage thumbwheel to give a tap raise or lower.
- b) Set initial delay timer to 20 seconds and interval timer to 5 seconds.
- c) The lower or raise LED should light after the initial time out. Adjust VR14 so that the LED on time is set as shown below (seconds).

MIN	MAX	NOMINAL	ACTUAL
1.8	2.2	2.0	

6.12 Tapchanger Failure Alarm Timer

- a) Connect a frequency counter to SK7-1.
- b) Adjust trimpot VR18 to give a waveform period of 9.15ms.
- c) Record operate time of Tap Changer Failure Alarm Timer by generating a "Raise" signal as previously but not simulating operation of the Tapchanger. Record time (seconds).

NOMINAL	ACTUAL
300	

7. GENERAL & FUNCTIONAL

7.1 Operation of Logic Circuitry

Set Sensitivity to 1V, toggle switch to “Inverse”, Initial Raise/ Lower time to 20s, T/C Interval to 5s, AC sensing voltage to 110V, Thumbwheel to 120V. Voltage Error Detected “Low” LED should light and IC17 (Initial Raise/Lower Timer) should commence timing. The “Raise” output relay should pick up when IC17 times out, and the output relay LED (Raise Tap Initiate) should also light. Simulate the opening of the tapchanger Auxiliary contact by operating the temporary pushbutton; the output “Raise” relay should drop out.

Closing of the N/C tapchanger contact removes the reset from the Tap Change Interval Timer, and after this time has elapsed, the “Raise” output relay will again pick up. The two above steps are repeated until the AC sensed voltage reaches the desired value, when the error comparator ceases to give a “Raise” signal and the timers will all be reset. Operation of the circuit for a “Lower” signal is similar to that for a “Raise”.

If a “Raise” or “Lower” input signal persists, along with failure of the N/C tapchanger contact to open, IC16 timer will time out, operating the Tapchanger Fail Alarm relay and LED. Removal of the “Raise” or “Lower” signal or opening of the N/C tapchanger contact will reset the timer.

7.2 LDC Operational Check

- a) Set the Line Drop Compensation controls to the following;
 Pos X in ϕ , Error detector = 3.0 V, Balance setting =110 volts, 1Amp in 1 Amp CT tap,
- b) Adjust the sense voltage source and note when the raise/lower LED extinguishes, this should be as per the table below.

Voltage Phase angle	Resistive Volts	Reactive Volts	Volts High	Balance Volts
0 deg	10	0	123	120
90 deg	0	10	123	120

7.3 General

Check operation of all output relays.

Check that the relay is electrically sound and mechanically robust as per Standard Inspection & Test Schedule 903-000-026.

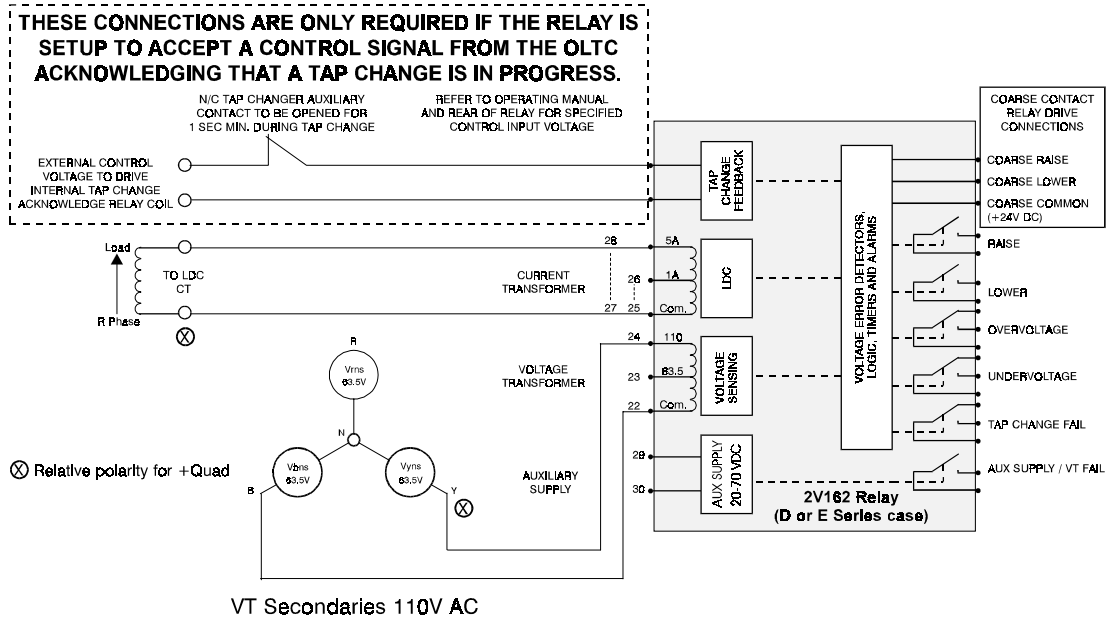
PASS



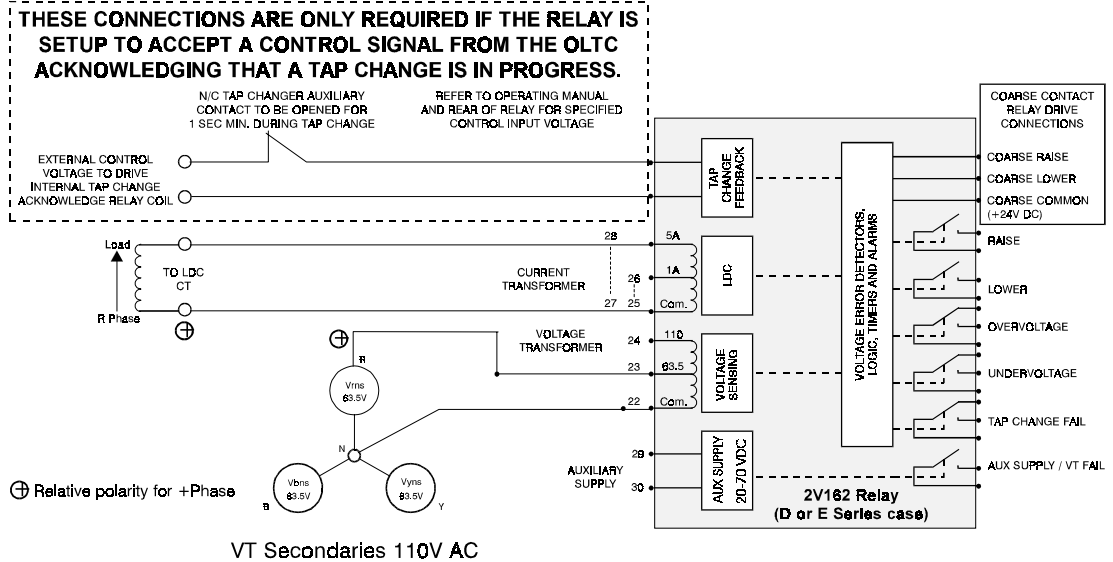
TESTED BY : _____ DATE : _____

8. CONNECTION DIAGRAM

In QUAD Connection



In PHASE Connection



CONNECTION NOTES

The connection wiring shown is for relays mounted in D or E Series cases only and will vary slightly for other models. Refer to the specific operating manual for guidelines.

All relay contacts are shown with a healthy supply applied, the 2V162 in a balanced condition, auxiliary supply connected in parallel with the sensed voltage and 5 Amp CT tap LDC input wired.