



2V74K8 Test Manual

Single Phase Voltage / Neutral Displacement Relay

relay monitoring systems pty ltd

Advanced Protection Devices



User Guide



Test Manual



2V74K7 Test Manual

Links to Other Documents

- Technical Bulletin: <http://www.rmspl.com.au/handbook/2v74.pdf>
- User Guide: http://www.rmspl.com.au/userguide/2v74_user_guide.pdf
- Application: http://www.rmspl.com.au/solutions/2v74_application.pdf
- Acad Case Drawings: <http://www.rmspl.com.au/2v74acad.htm>

Test Certification

This is to certify that the equipment detailed below has been manufactured, inspected & tested in accordance with a Quality System which complies with the requirements of AS/NZS ISO9001-2000.

Order Number	Serial Number

Only valid when the "Passed" box has been signed off by Production Personnel.

Version Control

Issue	Date	Summary of changes
A	23/10/2007	Initial issue.

Due to RMS continuous product improvement policy, this information is subject to change without notice.
This document is uncontrolled and subject to copyright.

Author	Checked & Registered	.pdf file created	Released
ERL	DG	DG	



1.0 HARDWARE SPECIFICATIONS – 2V074K08 [A][A][E][E]

- 1.1 Auxiliary Supply** [A] 20 - 70 VDC
- 1.2 Voltage Sensing Range** [A] 5-132V & 32-159V (1V inc)
- 1.3 Initiate Input** [E] 24VDC
- 1.4 Remote Flag Reset Input** [E] 24VDC
- 1.5 Non-Standard Features**
Hardware specifications not described in Technical Bulletin. None

2.0 VERIFICATION

This is to certify that the equipment has been manufactured, inspected and tested in accordance with a Quality System, which complies with the requirements of ISO9001: 2000.

Testing has been carried out against the declared performance specification 165-074-800 and in accordance with the relevant International (IEC) Standards.

PASSED BY	DATE

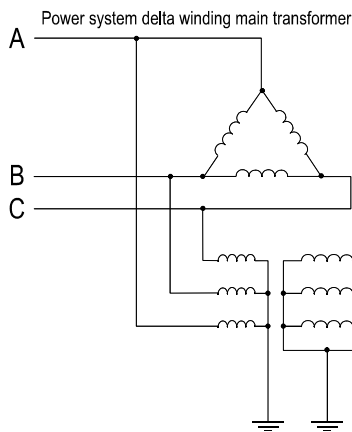
3.0 CONNECTION DIAGRAM

2V74 OPTION LINKS		
Initiate Input Apply Volts	Voltage Sensing Function	150 Hz Filter
To INHIBIT J02	Over Voltage J06 J07	IN J08
To ENABLE J02	Under Voltage J06 J07	OUT J08

165-074-701.cdr

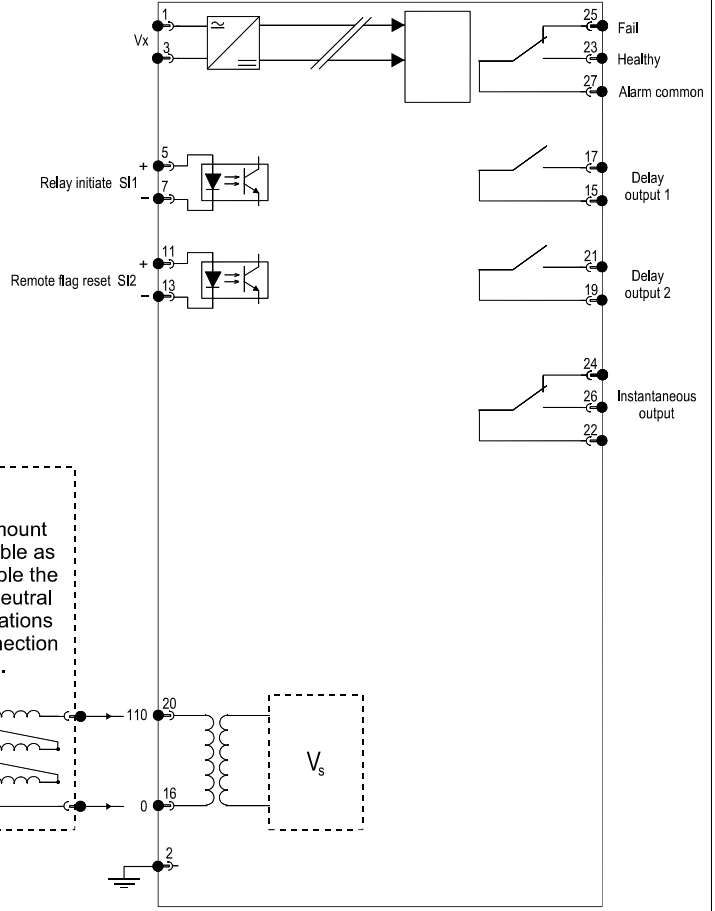
Draw out relay module & position links as shown for the desired function option.

This information is also displayed on the side of the draw out relay module.



4T85

The 4T85 surface mount transformer is available as an accessory to enable the use of the 2V74 in neutral displacement applications where a neutral connection is not available.



2V74 wiring diagram - Relay shown in de-energised condition