

2V73

# *Test Manual*

## *High Impedance Differential Relay*

relay monitoring systems pty ltd

---

**Advanced Protection Devices**



User Guide



Test Manual

# 2V73K82 Test Manual

## Links to Other Documents

---

<http://www.rmspl.com.au/spdl/2v73.htm>

## Test Certification

---

Made in Australia by Relay Monitoring Systems Pty Ltd.  
This is to certify that the equipment detailed below has been manufactured, inspected & tested in accordance with a Quality System which complies with the requirements of AS/NZS ISO9001-2008.

Order Number	Serial Number

Only valid when the "Passed" box has been signed off by Production Personnel.

## Version Control

---

Issue	Date	Summary of changes
A	06/11/2008	Initial issue.

Due to RMS continuous product improvement policy, this information is subject to change without notice.  
This document is uncontrolled and subject to copyright.

Author	Checked & Registered	.pdf file created	Released
DG	DW	DW	

**1.0 HARDWARE SPECIFICATIONS – 2V073K82 [A][A][A]**

<b>1.1 Setting Range</b>	[A]	25 – 325VAC in 50V steps
<b>1.2 Rated Frequency</b>	[A]	50Hz
<b>1.3 Flag Trip Indication</b>	[A]	Mechanical
<b>1.4 Non-Standard Features</b> Hardware specifications not described in Technical Bulletin.		None

**2.0 VERIFICATION**

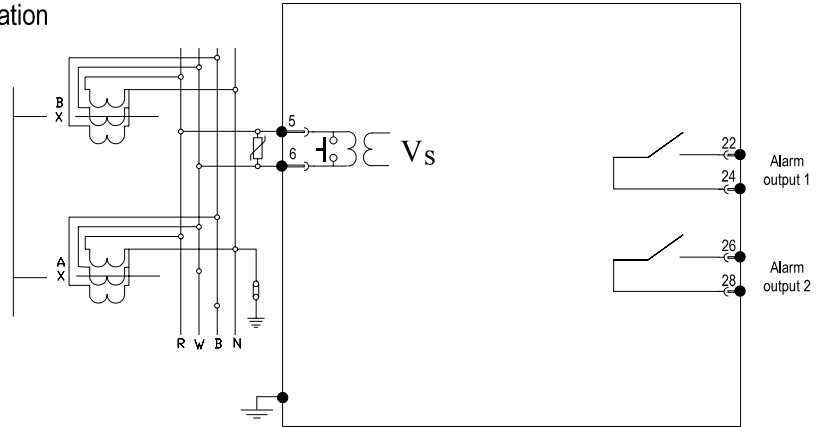
This is to certify that the equipment has been manufactured, inspected and tested in accordance with a Quality System, which complies with the requirements of ISO9001: 2008.

Testing has been carried out against the declared performance specification 165-073-800 and in accordance with the relevant International (IEC) Standards.

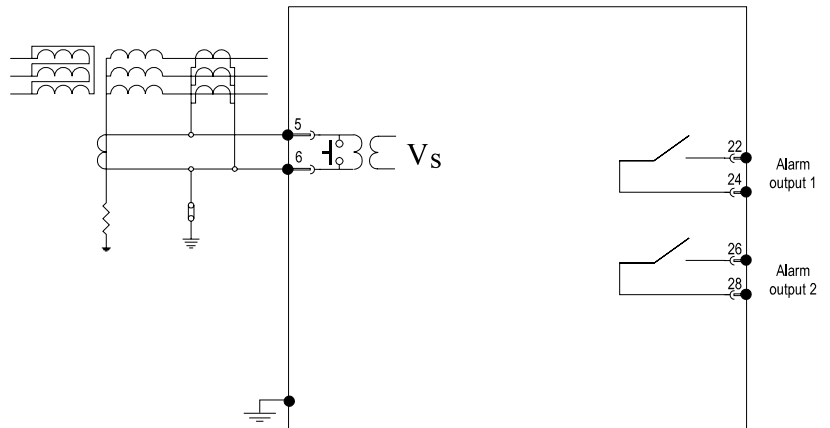
PASSED BY	DATE

3.0 CONNECTION DIAGRAM

High impedance differential protection application  
(Use 3 units for 3 phase configuration)



Restricted earth fault application



2V73 wiring diagrams - Relay shown in de-energised condition