

2V73

Test Manual

High Impedance Differential Relay

relay monitoring systems pty ltd

Advanced Protection Devices



User Guide



Test Manual

2V73K81 Test Manual

Links to Other Documents

<http://www.rmspl.com.au/spdl/2v73.htm>

Test Certification

Made in Australia by Relay Monitoring Systems Pty Ltd.
This is to certify that the equipment detailed below has been manufactured, inspected & tested in accordance with a Quality System which complies with the requirements of AS/NZS ISO9001-2008.

Order Number	Serial Number

Only valid when the "Passed" box has been signed off by Production Personnel.

Version Control

Issue	Date	Summary of changes
A	06/11/2008	Initial issue.

Due to RMS continuous product improvement policy, this information is subject to change without notice.
This document is uncontrolled and subject to copyright.

Author	Checked & Registered	.pdf file created	Released
DG	DW	DW	

1.0 HARDWARE SPECIFICATIONS – 2V073K81 [B][A][A]

1.1 Setting Range	[B]	25 – 115VAC in 15V steps
1.2 Rated Frequency	[A]	50Hz
1.3 Flag Trip Indication	[A]	Mechanical
1.4 Non-Standard Features Hardware specifications not described in Technical Bulletin.		None

2.0 VERIFICATION

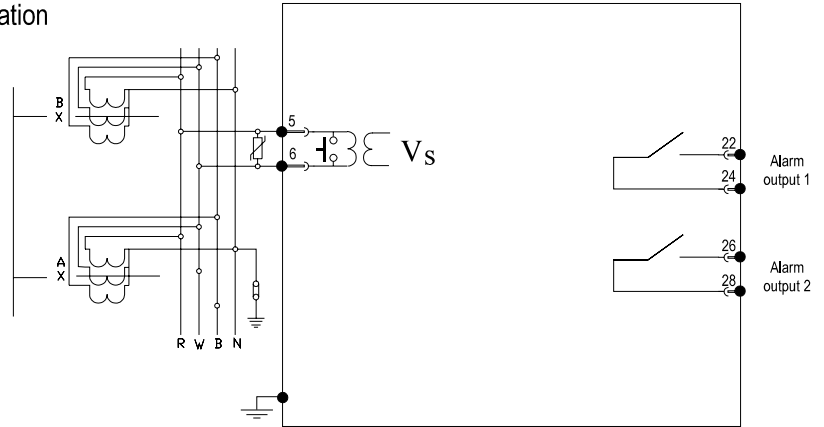
This is to certify that the equipment has been manufactured, inspected and tested in accordance with a Quality System, which complies with the requirements of ISO9001: 2008.

Testing has been carried out against the declared performance specification 165-073-800 and in accordance with the relevant International (IEC) Standards.

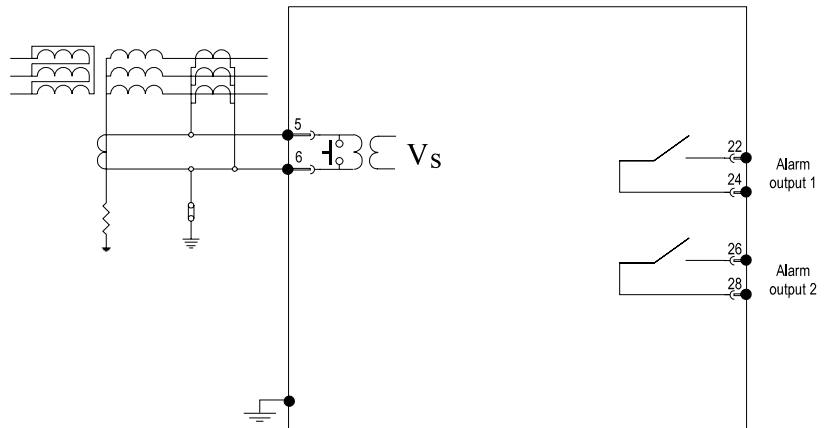
PASSED BY	DATE

3.0 CONNECTION DIAGRAM

High impedance differential protection application
(Use 3 units for 3 phase configuration)



Restricted earth fault application



2V73 wiring diagrams - Relay shown in de-energised condition