



2V73K6 Test Manual

High Impedance Differential Relay

relay monitoring systems pty ltd

Advanced Protection Devices



User Guide



Test Manual



2V73K6 Test Manual

Links to Other Documents

- Technical Bulletin: <http://www.rmspl.com.au/handbook/2V73.pdf>
- User Guide: http://www.rmspl.com.au/userguide/2V73_user_guide.pdf
- Application: http://www.rmspl.com.au/solutions/2V73_application.pdf
- Acad Case Drawings: <http://www.rmspl.com.au/2V73acad.htm>

Test Certification

This is to certify that the equipment detailed below has been manufactured, inspected & tested in accordance with a Quality System which complies with the requirements of AS/NZS ISO9001-2000.

Order Number	Serial Number

Only valid when the "Passed" box has been signed off by Production Personnel.

Version Control

Issue	Date	Summary of changes
A	16/05/2006	Initial issue.

Due to RMS continuous product improvement policy, this information is subject to change without notice.
This document is uncontrolled and subject to copyright.

Author	Checked & Registered	.pdf file created	Released
ERL	DG	DG	



1.0 HARDWARE SPECIFICATIONS – 2V073K06 [A][A][A][S]

- 1.1 Setting Range** [A] 25 – 325VAC in 50V steps
- 1.2 Rated Frequency** [A] 50Hz
- 1.3 Flag Trip Indication** [A] Mechanical
- 1.4 Non-Standard Features** [S]
Hardware specifications not described in Technical Bulletin.
Extra 10ms delay PU added to relay element.

2.0 VERIFICATION

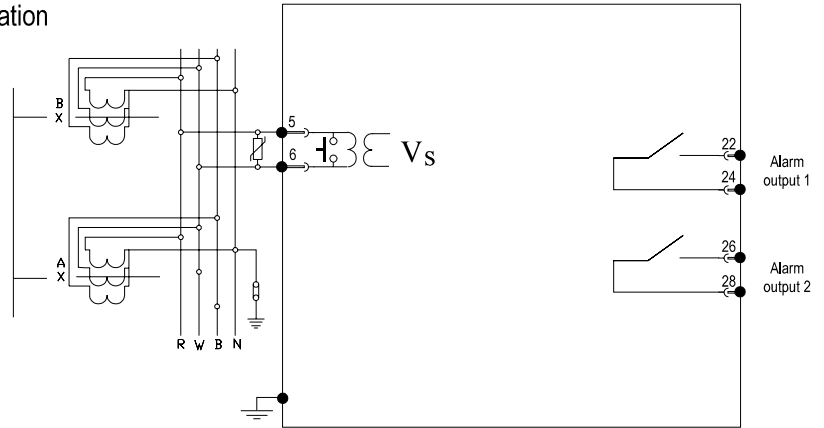
This is to certify that the equipment has been manufactured, inspected and tested in accordance with a Quality System, which complies with the requirements of ISO9001: 2000.

Testing has been carried out against the declared performance specification 165-073-806 and in accordance with the relevant International (IEC) Standards.

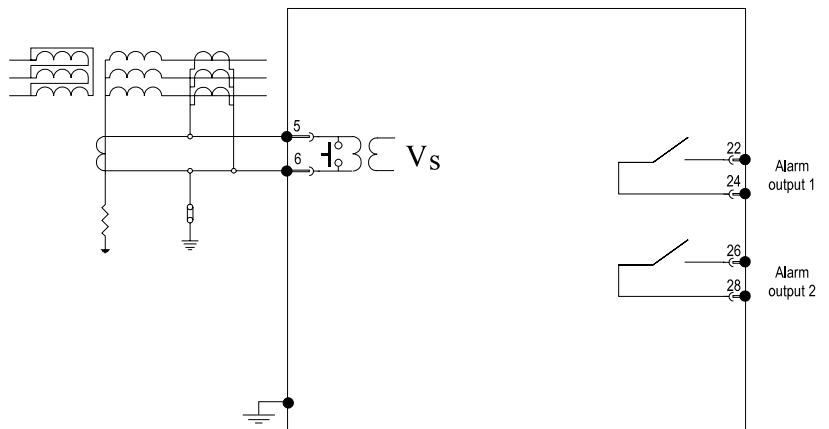
PASSED BY	DATE

3.0 CONNECTION DIAGRAM

High impedance differential protection application
(Use 3 units for 3 phase configuration)



Restricted earth fault application



2V73 wiring diagrams - Relay shown in de-energised condition