



# *2P49 Test Manual*

## *Three Phase Voltage Monitoring Relay*

relay monitoring systems Pty Ltd

---

### **Advanced Protection Devices**





# 2P49 Test Manual

## Links to Other Documents

---

Technical Bulletin: <http://www.rmspl.com.au/handbook/2p49.pdf>

User Guide: [http://www.rmspl.com.au/userguide/2p49\\_user\\_guide.pdf](http://www.rmspl.com.au/userguide/2p49_user_guide.pdf)

## Test Certification

---

This is to certify that the equipment detailed below has been manufactured, inspected & tested in accordance with a Quality System which complies with the requirements of AS/NZS ISO9001-2008.

Job Number	Serial Number

Only valid when the "Passed" box has been signed off by Production Personnel.

## Version Control

---

Issue	Date	Summary of changes
A	06/12/2013	Initial issue.

Due to RMS continuous product improvement policy this information is subject to change without notice.  
This document is uncontrolled and subject to copyright.

Author	Checked	PDF file created	Registered & Released
MVL	SG	SG	



**1.0 ORDER CODE DEFINITION**

The order code definition is described below and highlighted for the products manufactured with the Job Number shown on page 1.

2P49 -		Three Phase Voltage Monitoring Relay	
Sensing Supply	A		110V 50Hz
	B		415V 50Hz
	C		440V 50Hz
	D		110V 60Hz
	E		415V 60Hz
	F		440V 60Hz
	G		380V 50Hz
Time Delay (2s approx. on drop off)	A		Required
	B		Not Required
Output Contacts	A		IDEC RH Type output relay - 2 C/O contacts
	B		6R output relay - 4 C/O contacts
	C		6R output with mag. blowouts – 4 C/O contacts
Flag	A		Required - hand reset
	B		Not required
	C		Required - self reset

**2.0 VERIFICATION**

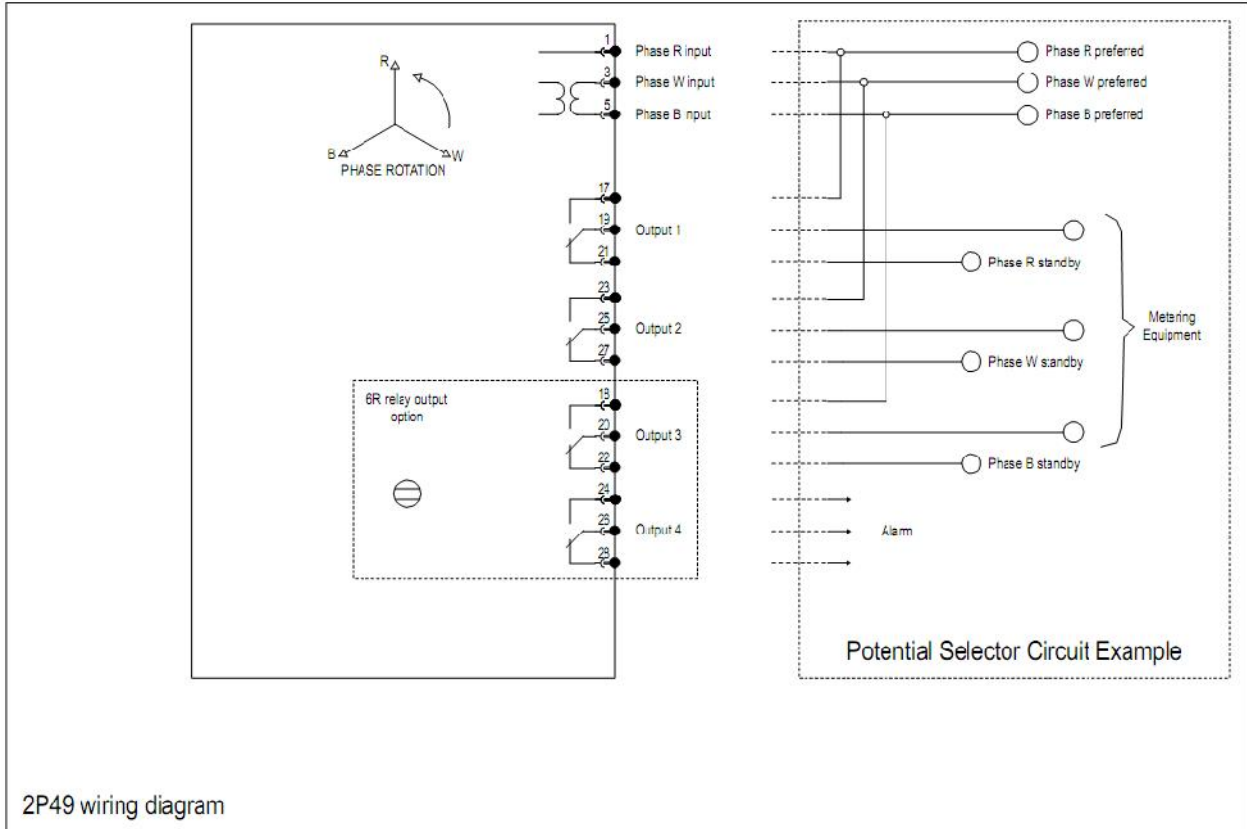
This is to certify that the equipment has been manufactured, inspected and tested in accordance with a Quality System, which complies with the requirements of ISO9001: 2008.

Testing has been carried out against the declared performance specification 162-049-800 and in accordance with the relevant International (IEC) Standards.

PASSED BY	DATE



**3.0 CONNECTION DIAGRAM**



2P49 wiring diagram