



2C73 Test Manual

High Impedance Differential Relay

relay monitoring systems Pty Ltd

Advanced Protection Devices





2C73 Test Manual

Links to Other Documents

Technical Bulletin: <http://www.rmspl.com.au/2c73.htm>

Test Certification

This is to certify that the equipment detailed below has been manufactured, inspected & tested in accordance with a Quality System which complies with the requirements of AS/NZS ISO9001-2008.

Job Number	Serial Number

Only valid when the "Passed" box has been signed off by Production Personnel.

Version Control

Issue	Date	Summary of changes
A	27/09/2013	Initial issue.

Due to RMS continuous product improvement policy this information is subject to change without notice.
This document is uncontrolled and subject to copyright.

Author	Checked	.PDF file created	Registered & Released
MVL	SG	SG	



1.0 ORDER CODE DEFINITION

The order code definition is described below and highlighted for the products manufactured with the Job Number shown on page 1.

2C73 -		<input type="text"/>	<input type="text"/>	<input type="text"/>	High Impedance Differential Relay
Setting Range	A	10 - 40% in 7 x 5% steps			
	B	20 - 80% in 7 x 10% steps (1A CT only)			
	C	20 - 80% in 4 x 20% steps (5A CT only)			
	D	5 - 20% in 7 x 2.5% steps			
	E	50 - 200% in 7x 25% steps (1A CT only)			
CT Rating	A	1A			
	B	5A			
Rated Frequency	A	50 Hz			
	B	60 Hz			

2.0 VERIFICATION

This is to certify that the equipment has been manufactured, inspected and tested in accordance with a Quality System, which complies with the requirements of ISO9001: 2008.

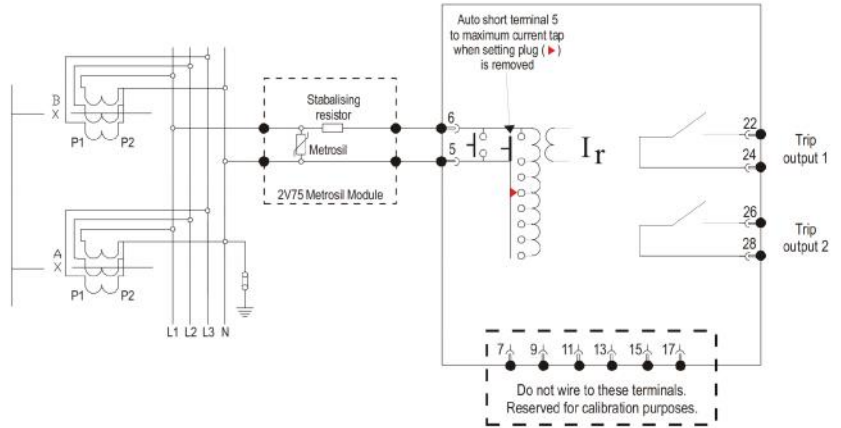
Testing has been carried out against the declared performance specification 159-073-800 and in accordance with the relevant International (IEC) Standards.

PASSED BY	DATE

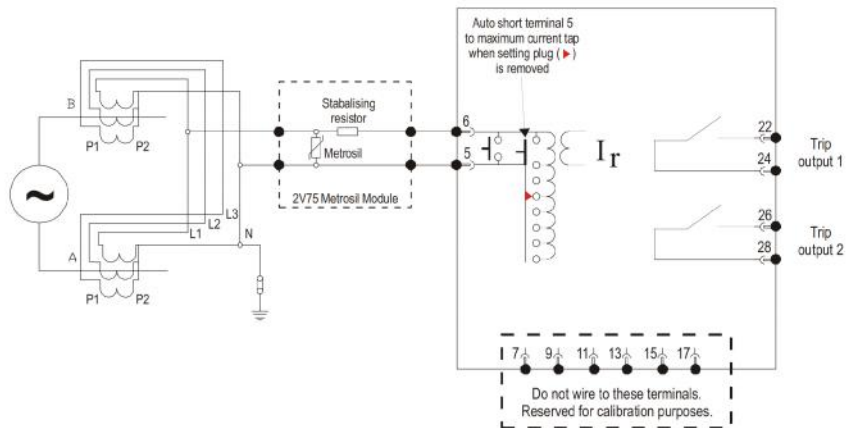


3.0 CONNECTION DIAGRAM

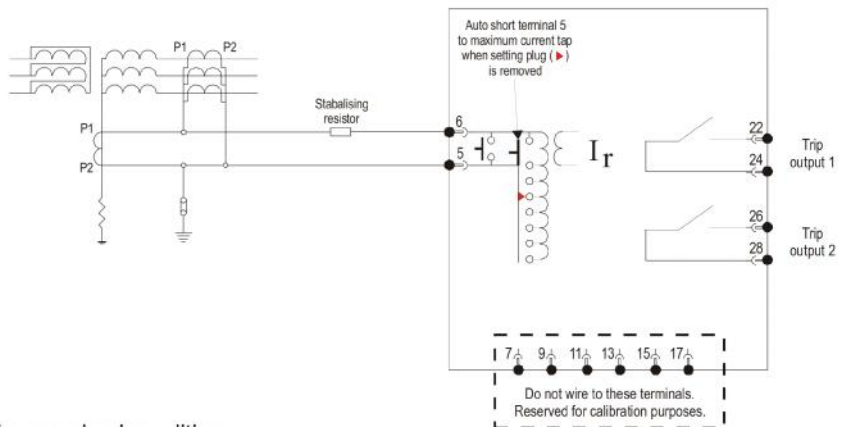
High impedance differential BUS bar protection application
 (Use 3 units for 3 phase configuration)



High impedance differential generator protection application
 (Use 3 units for 3 phase configuration)



Restricted earth fault application



2C73 wiring diagrams - Relay shown in de-energised condition