



2C80K2 Test Manual

Definite Time Current Check Relay

relay monitoring systems pty ltd

Advanced Protection Devices



User Guide



Test Manual



2C80K2 Test Manual

Links to Other Documents

- Technical Bulletin: <http://www.rmspl.com.au/handbook/2C80.pdf>
- User Guide: http://www.rmspl.com.au/userguide/2C80_user_guide.pdf
- Application: http://www.rmspl.com.au/solutions/2C80_application.pdf
- Acad Case Drawings: <http://www.rmspl.com.au/2C80acad.htm>

Test Certification

This is to certify that the equipment detailed below has been manufactured, inspected & tested in accordance with a Quality System which complies with the requirements of AS/NZS ISO9001-2000.

Order Number	Serial Number

Only valid when the "Passed" box has been signed off by Production Personnel.

Version Control

Issue	Date	Summary of changes
A	09/10/2000	Initial issue.
B	04/04/2003	Connection drawing to show timer links
C	28/03/2003	Document reformat.

Due to RMS continuous product improvement policy, this information is subject to change without notice.
This document is uncontrolled and subject to copyright.

Author	Checked & Registered	.pdf file created	Released
DG	DW	DW	



1.0 HARDWARE SPECIFICATIONS – 2C080K02 [C][A][A][B][B]

- 1.1 Auxiliary Supply** [C] 110VDC
- 1.2 Current Setting** [A] 5 - 50%
- 1.3 CT Input Rating** [A] 1Amp Nom
- 1.4 Integral Time Delay** [B] Internal Timer Initiate fitted
- 1.5 Magnetic Flag Trip Indication** [B] 24 – 150VDC
- 1.6 Non-Standard Features**
Hardware specifications not described in Technical Bulletin. None

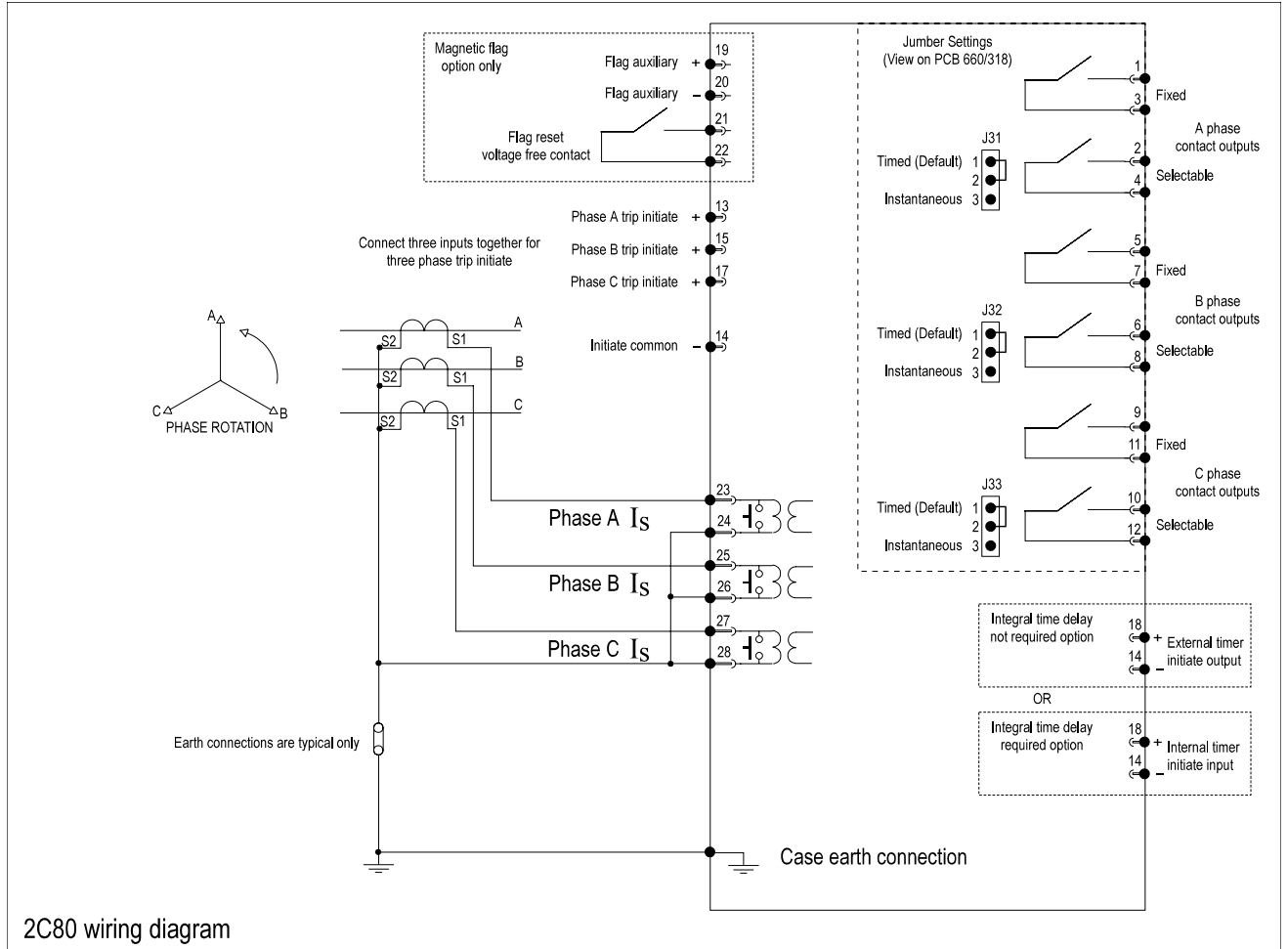
2.0 VERIFICATION

This is to certify that the equipment has been manufactured, inspected and tested in accordance with a Quality System, which complies with the requirements of ISO9001: 2000.

Testing has been carried out against the declared performance specification 159-080-800 and in accordance with the relevant International (IEC) Standards.

PASSED BY	DATE

3.0 CONNECTION DIAGRAM



2C80 wiring diagram