



2C65K11 Test Manual

Current Check Relay

relay monitoring systems pty ltd

Advanced Protection Devices



User Guide



Test Manual



2C065K11 Test Manual

Links to Other Documents

- Technical Bulletin: <http://www.rmspl.com.au/handbook/2c65.pdf>
- User Guide: http://www.rmspl.com.au/userguide/2c65_user_guide.pdf
- Application: http://www.rmspl.com.au/solutions/2c65_application.pdf
- Acad Case Drawings: <http://www.rmspl.com.au/2c65acad.htm>

Test Certification

This is to certify that the equipment detailed below has been manufactured, inspected & tested in accordance with a Quality System which complies with the requirements of AS/NZS ISO9001-2000.

Order Number	Serial Number

Only valid when the "Passed" box has been signed off by Production Personnel.

Version Control

Issue	Date	Summary of changes
A	15/06/2011	Initial issue.

Due to RMS continuous product improvement policy, this information is subject to change without notice.
This document is uncontrolled and subject to copyright.

Author	Checked & Registered	.pdf file created	Released
DG	DW	DG	



1.0 HARDWARE SPECIFICATIONS – 2C065K11 [A][A][B][A]

- 1.1 Auxiliary Supply** [A] 20 - 70 VDC
- 1.2 Current Setting** [A] 5 - 50%
- 1.3 CT Rating** [B] 5 Amp
- 1.4 Timing Function** [A] Instantaneous
- 1.5 Non-Standard Features**
Hardware specifications not described in Technical Bulletin. None

2.0 VERIFICATION

This is to certify that the equipment has been manufactured, inspected and tested in accordance with a Quality System, which complies with the requirements of ISO9001: 2000.

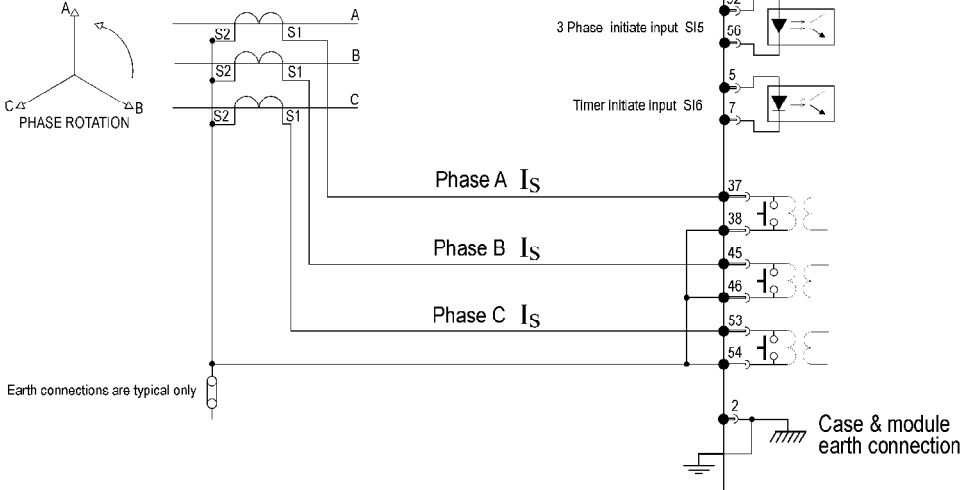
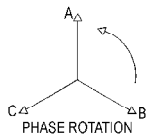
Testing has been carried out against the declared performance specification 159-065-800 and in accordance with the relevant International (IEC) Standards.

PASSED BY	DATE

3.0 CONNECTION DIAGRAM

Output Relay Configuration		
	Configuration switch 4 set to OFF	Configuration switch 4 set to ON
1	φA Inst/Timed	3φ Inst/Timed
2	φB Inst/Timed	3φ Inst/Timed
3	φC Inst/Timed	3φ Inst/Timed
4	3φ Inst/Timed	3φ Inst/Timed
5	φA Timed	3φ Timed
6	φB Timed	3φ Timed
7	φC Timed	3φ Timed
8		

Time delay outputs only available with timer option
 Relays 1-4 are marked 'Inst/Timed'
 as the timing function is controlled by the
 position of configuration switch 5.
 ON = Instantaneous
 OFF = Time delayed



2C65 wiring diagram