

1B230

Test Manual

Two Shot Auto Reclose Relay

relay monitoring systems pty ltd

Advanced Protection Devices



User Guide



Test Manual

Test Manual

Links to Other Documents

<http://www.rmspl.com.au/spdl/1b230.htm>

Test Certification

Made in Australia by Relay Monitoring Systems Pty Ltd.

This is to certify that the equipment detailed below has been manufactured, inspected & tested in accordance with a Quality System which complies with the requirements of AS/NZS ISO9001-2008.

Order Number	Firmware Loaded	Serial Number

Only valid when the "Passed" box has been signed off by Production Personnel.

Version Control

Issue	Date	Summary of changes
A	04/08/2003	Initial issue.

Due to RMS continuous product improvement policy this information is subject to change without notice.
This document is uncontrolled and subject to copyright.

Author	Checked & Registered	.pdf file created	Released
ARF	DG	DG	

1.0 HARDWARE SPECIFICATIONS – 1B230K80 [A][B][B][B][B][B][B]

1.1 Auxiliary Supply Auxiliary Supply Voltage	[A]	20 - 70 VDC
1.2 Counter	[B]	Fitted
1.3 Series Initiate Input	[B]	PU >1.2A DC
1.4 Status Input 4 CB Auxiliary Switch	[B]	24 – 80 V AC/DC
1.5 Status Input 5 Drive To Lockout + Reset Lockout	[B]	24 – 80 V AC/DC
1.6 Status Input 6 Line Volt Monitor	[B]	24 – 80 V AC/DC
1.7 Status Input 7 Spring Charge + Safe To Close	[B]	24 – 80 V AC/DC
1.8 Status Input 8 Main Protection Shunt	[B]	24 – 80 V AC/DC
1.9 Non-Standard Features Hardware specifications not described in Data Sheet.		None

2.0 TEST PROCEDURE**2.1 Test Equipment Required**

High Voltage Test Equipment.

Calibrated Test Set

A PC with Windows 98 or later and at least one COM port.

Atmel 'AVR Studio' software.

The correct serial cable.

2.2 Associated Documents

151-230-180	Wiring Diagram
151-230-800	Work Instruction
660-341-202	Primary PCB circuit diagram
660-342-201	Secondary PCB circuit diagram

2.3 High Voltage Testing

- a) Apply 2KV RMS between the terminal groups as listed in A & B below for 1 minute.
- b) Apply three 5KV 1/50usec pulses of each polarity as listed in A & B below.

GROUP A	GROUP B
1,3,5,7,9,11,12,13,15,17,19,20,21,22,23,25, ,27	30,32,34,36,38,40,42,44,46,48,50,52,54,55,56, Frame
1,3,5,7,9,11,12,13,15,30,32,34,36,38,40,42, ,44,46,48,50	17,19,20,21,22,23,25,27,52,54,55,56, Frame
1,3,9,11,12,17,19,20,23,25,27,34,36,38,46, 48,50,55,56	5,7,13,15,21,22,30,32,40,42,44,52,54, Frame
1,3,5,7,17,19,20,30,32,34,36,38,52,54	9,11,12,13,15,23,25,27,40,42,44,46,48,50,Frame

2.4 Hardware Verification

Verify hardware as to 151-230-800

a) Verify Switch Mode Power Supply

SMPS verified to PCI 146.

VERIFY

b) Verify I/O functions.

All relay outputs.

VERIFY

All isolated inputs.

VERIFY

c) Verify HMI.

Potentiometers

VERIFY

LEDs

VERIFY

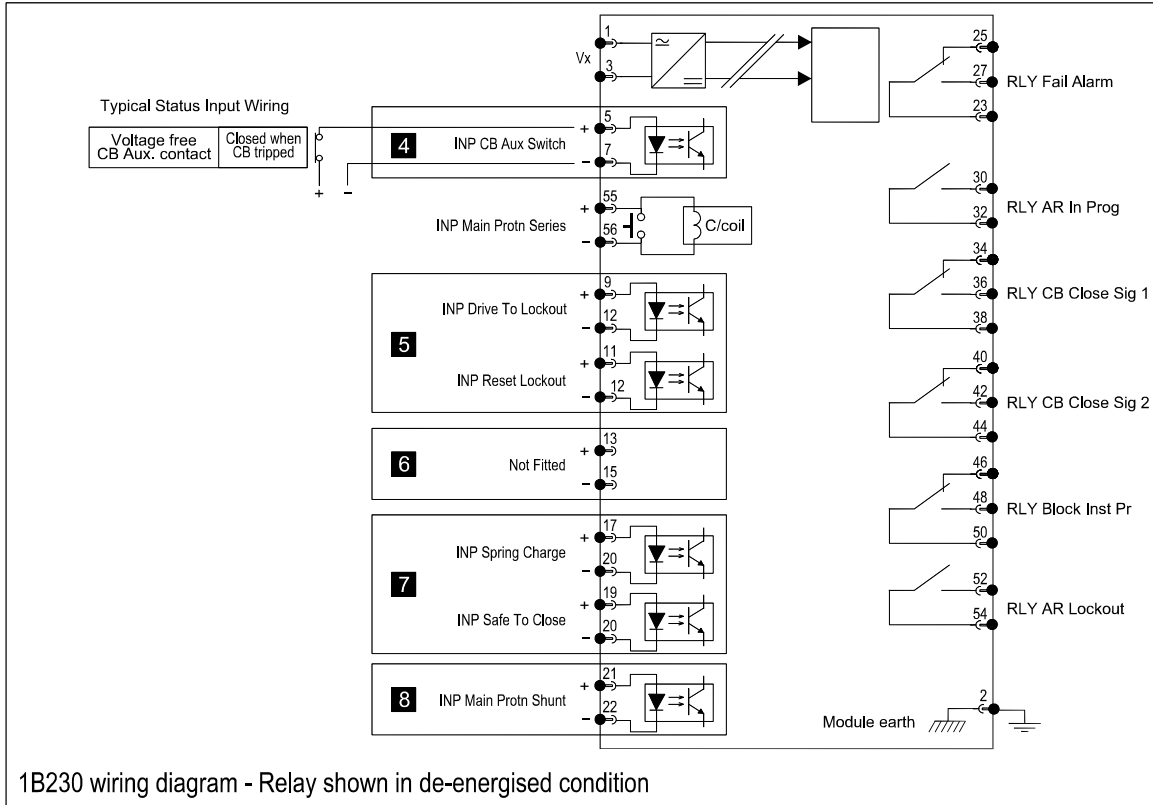
2.8 General

a) Check workmanship to 903-000-026

VERIFY

PASSED BY	DATE

CONNECTION DIAGRAM



1B230 wiring diagram - Relay shown in de-energised condition