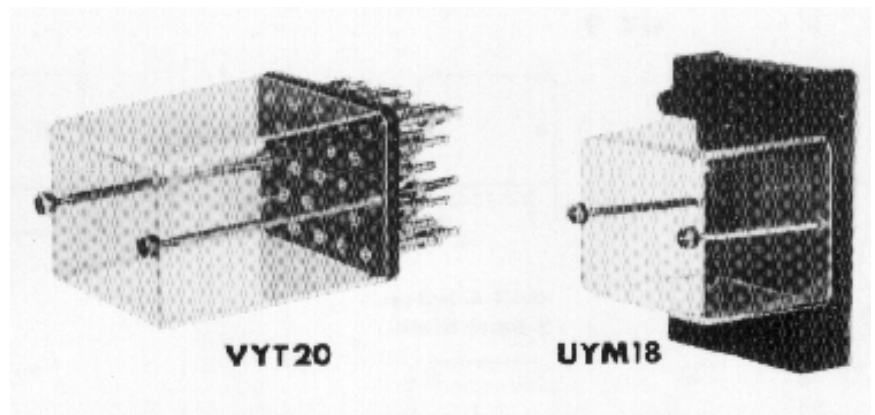
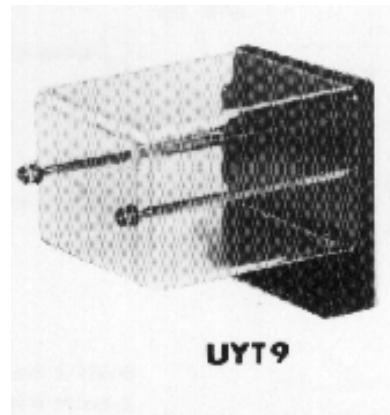


## Features

- Moulded plastic construction with full front panel view provided by high impact polycarbonate front cover
- Choice of rear connection or front connection styles
- Choice of cover sizes – small, medium or tall
- Rubber seals incorporated to provide excellent dust & moisture resistance
- Heavy duty 2BA terminal studs or screws
- Proven enclosure designs based on over 40 years of in field service across hundreds of varied & demanding applications
- Tolerance to shock & vibration for generator, compressor & mobile applications
- -5 to +55 Degrees Celsius ambient operating range

## Description

The Y Series are a range of general purpose surface mount, projection mounting enclosures available for front or back connection. Covers are available in three sizes: small, medium & tall.



## Construction

Made in Australia

Bases are molded complete with brass termination facilities. The covers are clear polycarbonate providing full visibility & when removed, enable free access to the installed equipment.

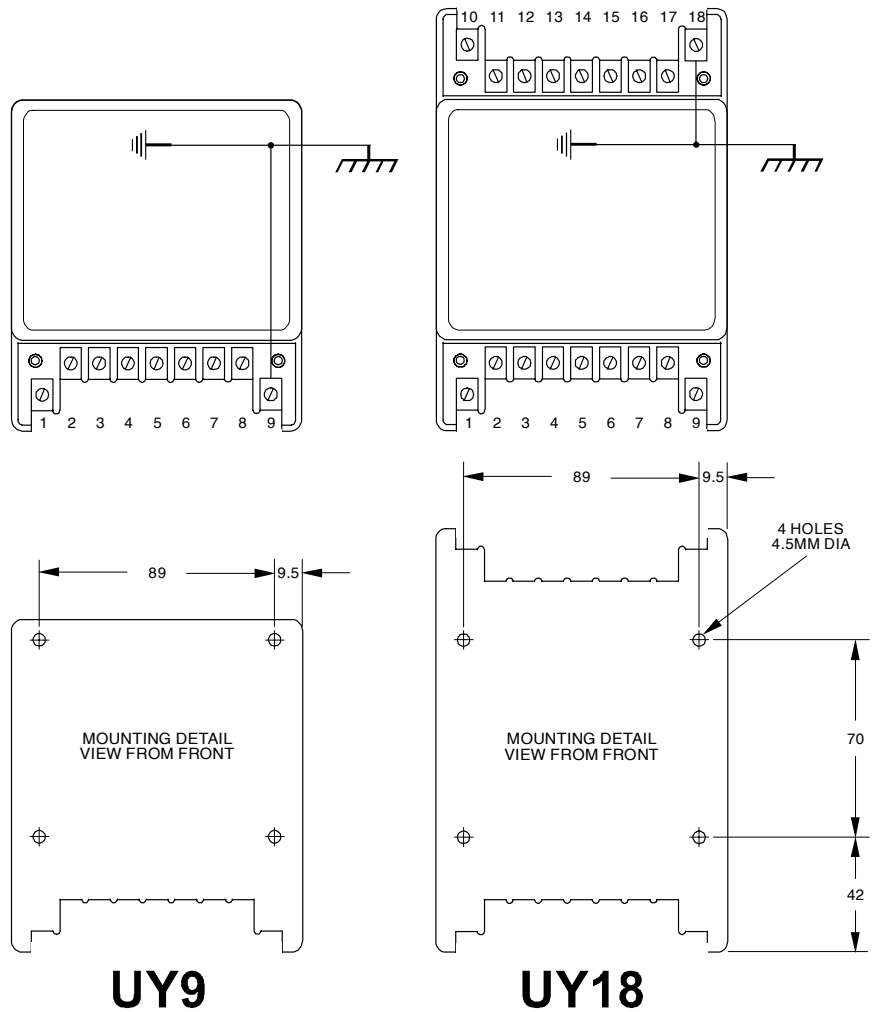
Rear connection bases have a capacity of 20 terminations & front connection bases have a capacity dependent on type of 9 or 18 terminations.

Rear connection bases are fitted with 2BA stud assemblies 50mm long.

The 9 & 18 way front connection bases are fitted with 4BA screw terminals.

Y Series enclosures with 2BA terminals have a continuous current rating of 30A whilst those with 4BA terminals are rated at 20A. Optional features include 2BA terminal screws in lieu of studs & sealing wire facilities to impede unauthorized removal of the cover.

# UY Model Case Dimensions & Selection Chart



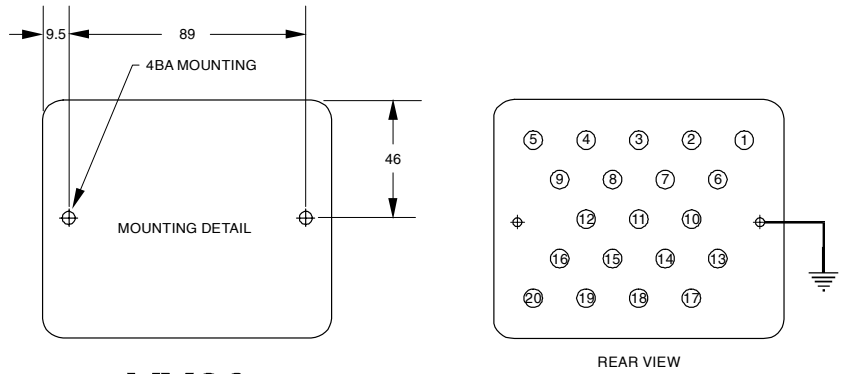
**UY9**

**UY18**

	UY9	UYM 9	UYT 9	UYS18	UYM18	UYT18
<b>FRONT CONNECTED</b>	●	●	●	●	●	●
<b>SCREW CLAMP TERMINALS</b>	●	●	●	●	●	●
<b>2BA STUD TERMINALS</b>						
<b>NO. OF CONNECTIONS</b>	9	9	9	18	18	18
<b>CONNECTION RATING (Amps)</b>	20	20	20	20	20	20
<b>BASE WIDTH (mm)</b>	108	108	108	108	108	108
<b>BASE HEIGHT (mm)</b>	122	122	122	154	154	154
<b>PROJECTION SMALL COVER</b>	85			85		
<b>PROJECTION MEDIUM COVER</b>		107			107	
<b>PROJECTION TALL COVER</b>			154			154

NOTE: Add 17mm to projection dimension when fitted with pushbutton.

## VY Model Case Dimensions & Selection Chart



### VY20

	VYS20	VYM20	VYT20
<b>BACK CONNECTED</b>	●	●	●
<b>FRONT CONNECTED PLUG IN</b>			
<b>BACK CONNECTED PLUG IN</b>			
<b>2BA STUD TERMINALS</b>	●	●	●
<b>CONNECTION RATING (Amps)</b>	<b>30</b>	<b>30</b>	<b>30</b>
<b>BASE WIDTH (mm)</b>	<b>108</b>	<b>108</b>	<b>108</b>
<b>BASE HEIGHT (mm)</b>	<b>89</b>	<b>89</b>	<b>89</b>
<b>PROJECTION SMALL COVER</b>	<b>78</b>		
<b>PROJECTION MEDIUM COVER</b>		<b>100</b>	
<b>PROJECTION TALL COVER</b>			<b>148</b>

NOTE: Add 17mm to projection dimension when fitted with pushbutton.

#### ORDER CODE

The order code determines the production build in the factory & cannot be changed in the field.

Generate the required order code as follows: e.g. UYM9

<b>1</b>		<b>2</b>	<b>3</b>
	Y		

#### 1 SYSTEM VOLTAGE SELECTION

- U Front connected
- V Back connected

#### 2 COVER SIZE

- S Small
- M Medium
- T Tall

#### 3 NUMBER OF TERMINALS

- 9 UY only
- 18 UY only
- 20 VY only

## **Australian Content**

Unless otherwise stated the product(s) quoted are manufactured by RMS at our production facility in Melbourne Australia. Approximately 60% of our sales volume is derived from equipment manufactured in house with a local content close to 90%. Imported components such as semi-conductors are sourced from local suppliers & preference is given for reasonable stock holding to support our build requirements.

## **Quality Assurance**

RMS holds NCSI (NATA Certification Services International), registration number 6869 for the certification of a quality assurance system to AS/NZS ISO9001-2000. Quality plans for all products involve 100% inspection and testing carried out before despatch. Further details on specific test plans, quality policy & procedures may be found in section A4 of the RMS product catalogue.

## **Product Packaging**

Protection relays are supplied in secure individual packing cardboard boxes with moulded styrene inserts suitable for recycling. Each product & packing box is labeled with the product part number, customer name & order details.

## **Design References**

The products & components produced by RMS are based on many years of field experience since Relays Pty Ltd was formed in 1955. A large population of equipment is in service throughout Australia, New Zealand, South Africa & South East Asia attesting to this fact. Specific product & customer reference sites may be provided on application.

## **Product Warranty**

All utility grade protection & auxiliary relay products, unless otherwise stated, are warranted for a period of 24 months from shipment for materials & labour on a return to factory basis. Repair of products damaged through poor application or circumstances outside the product ratings will be carried out at the customer's expense.

## **Standard Conditions of Sale**

Unless otherwise agreed RMS Standard Terms & Conditions (QF 907) shall apply to all sales. These are available on request or from our web site.



## **Relay Monitoring Systems Pty Ltd**

6 Anzed Court, Mulgrave, Victoria 3170, AUSTRALIA

Tel: 61 3 9561 0266 Fax: 61 3 9561 0277 Email: [rms@rmspl.com.au](mailto:rms@rmspl.com.au) Web: [www.rmspl.com.au](http://www.rmspl.com.au)