

## Features

- Ten year factory warranty
- Plug in measuring module
- Double insulated high impact polystyrol case
- Termination socket included for surface mounting enabling front or rear connection with optional DIN rail mounting
- Proven designs based on over 20 years of field service in hundreds of varied & demanding applications
- Surge protection diode
- Silver contacts (Optional gold)
- Tolerance to shock & vibration for generator, compressor & mobile applications

## Technical Data

### AUXILIARY SUPPLY

| Order code | Vx nominal |
|------------|------------|
| 3Y701-A    | 12V DC     |
| 3Y701-B    | 24V DC     |
| 3Y701-C    | 48V DC     |
| 3Y701-D    | 110V DC    |
| 3Y701-E    | 125V DC    |
| 3Y701-M    | 250V DC    |

### SUPPLY TOLERANCE

-25% to +15% of nominal

### POWER CONSUMPTION

2.2W nominal

### OPERATE TIME

PU 20ms  
DO 18ms

### OUTPUT CONTACTS

4 N/O with 1KV isolation across contacts  
Consult factory for other contact options.

### OPERATING TEMPERATURE RANGE

-15 to 65 degrees C.

### INSULATION WITHSTAND

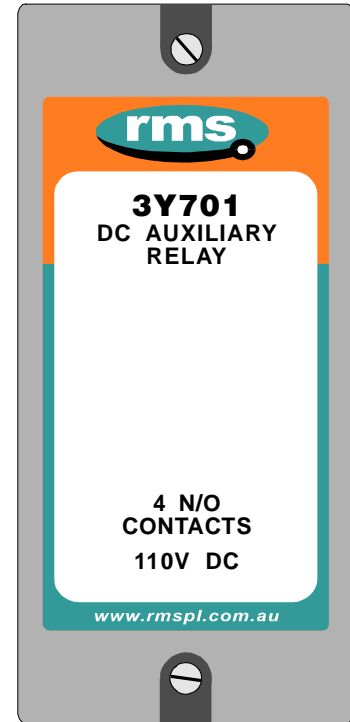
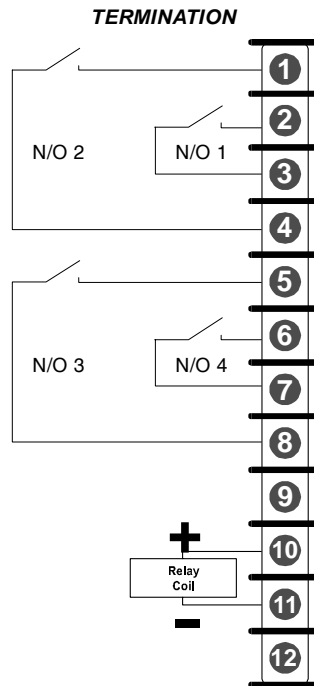
In accordance with IEC 255-5: 2KV RMS between input & frame, output & frame, & output & input. 1.2/50 5KV impulse between each terminal & earth, between circuits not normally connected together & between terminals of the same circuit.

### NOISE IMMUNITY

Withstands the high frequency interference test detailed in IEC 255-22-1.

### RELAY CASE

ZA12 surface mount or DIN rail mount enclosure. Refer page 2.



Actual Size

## Description

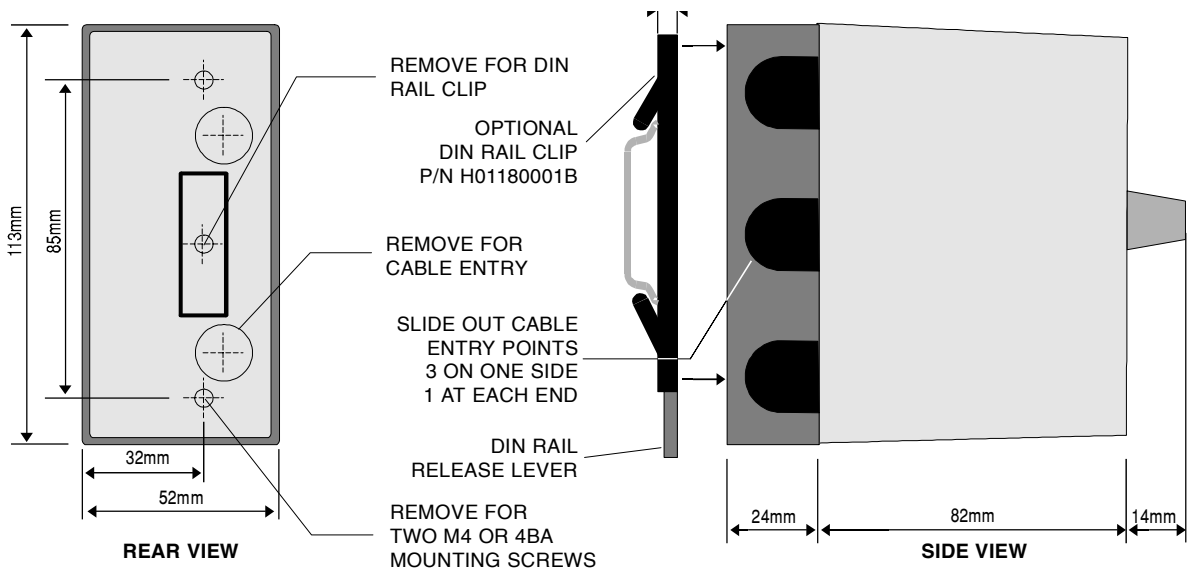
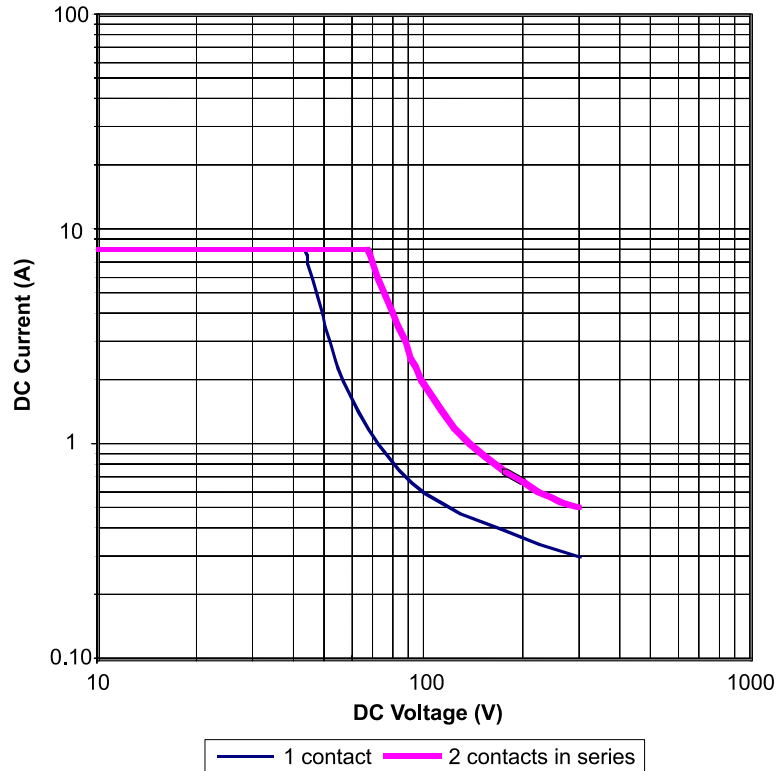
Made in Australia

The 3Y701Series are heavy duty attracted armature general purpose auxiliary relays suitable for applications where high levels of electrical isolation, DC switching capacity & reliability is required. The 700 Series range of electronic measuring relays are manufactured as a modular approach to electrical system protection & control. Designed to meet rigid Australian & international specifications the 700 Series provide a flexible, cost effective & extremely reliable solution for a multitude of applications under electrically hostile conditions.

**RELAY CONTACT RATINGS**

|      |             |            |                 |                        |
|------|-------------|------------|-----------------|------------------------|
| 1A   | @ 24V DC    | L/R = 0ms  | Electrical life | 5.5 million operations |
| 0.5A | @ 110V DC   | L/R = 40ms | Electrical life | 1 million operations   |
| 1A   | @ 220V 50Hz | P/F = 1    | Electrical life | 3.5 million operations |

**MAXIMUM DC LOAD BREAKING CAPACITY (Resistive load)**



## **Australian Content**

Unless otherwise stated the product(s) quoted are manufactured by RMS at our production facility in Melbourne Australia. Approximately 60% of our sales volume is derived from equipment manufactured in house with a local content close to 90%. Imported components such as semi-conductors are sourced from local suppliers & preference is given for reasonable stock holding to support our build requirements.

## **Quality Assurance**

RMS holds NCSI (NATA Certification Services International), registration number 6869 for the certification of a quality assurance system to AS/NZS ISO9001-2000. Quality plans for all products involve 100% inspection and testing carried out before despatch. Further details on specific test plans, quality policy & procedures may be found in section A4 of the RMS product catalogue.

## **Product Packaging**

Protection relays are supplied in secure individual packing cardboard boxes with moulded styrene inserts suitable for recycling. Each product & packing box is labeled with the product part number, customer name & order details.

## **Design References**

The products & components produced by RMS are based on many years of field experience since Relays Pty Ltd was formed in 1955. A large population of equipment is in service throughout Australia, New Zealand, South Africa & South East Asia attesting to this fact. Specific product & customer reference sites may be provided on application.

## **Product Warranty**

All utility grade protection & auxiliary relay products, unless otherwise stated, are warranted for a period of 24 months from shipment for materials & labour on a return to factory basis. Repair of products damaged through poor application or circumstances outside the product ratings will be carried out at the customer's expense.

## **Standard Conditions of Sale**

Unless otherwise agreed RMS Standard Terms & Conditions (QF 907) shall apply to all sales. These are available on request or from our web site.



## **Relay Monitoring Systems Pty Ltd**

6 Anzed Court, Mulgrave, Victoria 3170, AUSTRALIA

Tel: 61 3 9561 0266 Fax: 61 3 9561 0277 Email: [rms@rmspl.com.au](mailto:rms@rmspl.com.au) Web: [www.rmspl.com.au](http://www.rmspl.com.au)